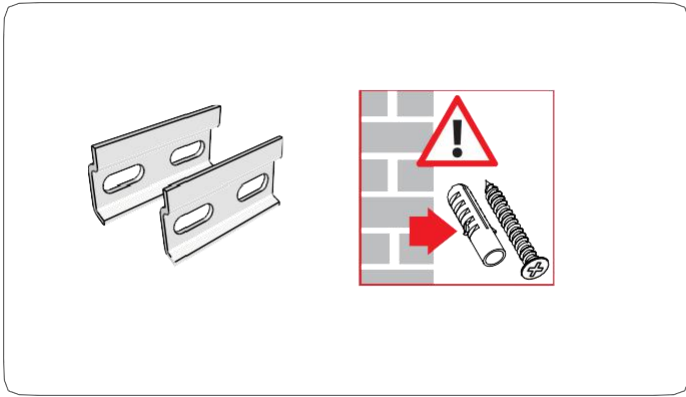
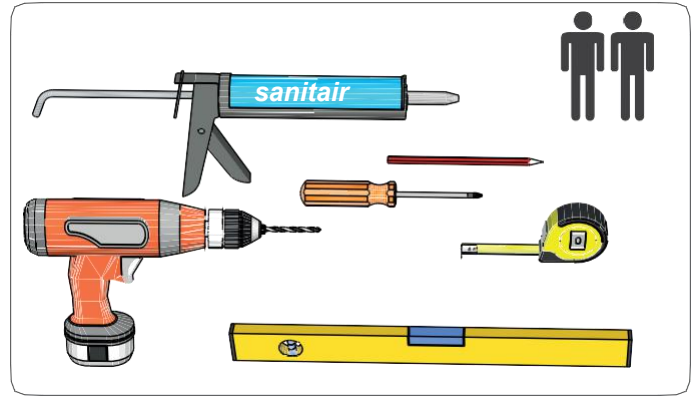


INSTALLATION GUIDE

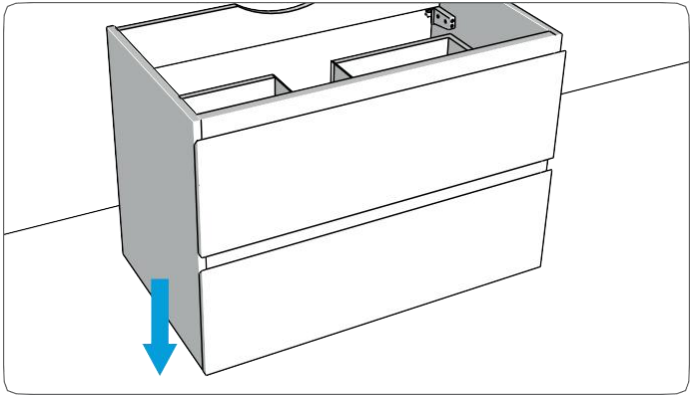
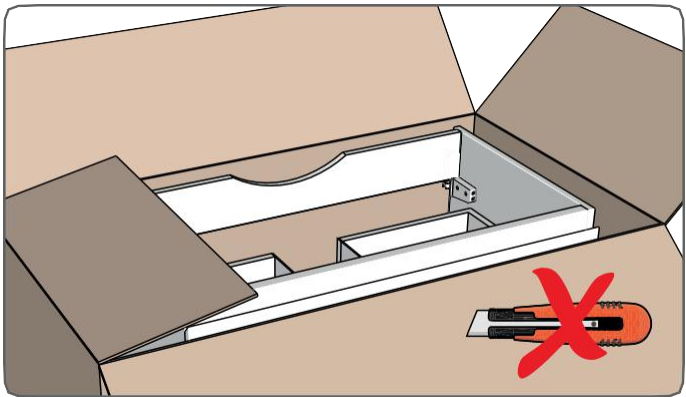
Accessories



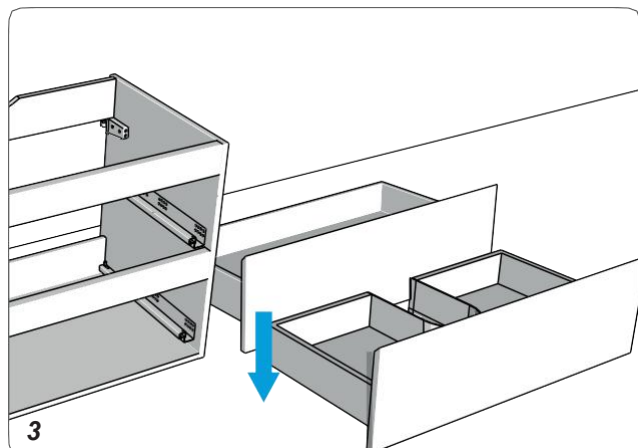
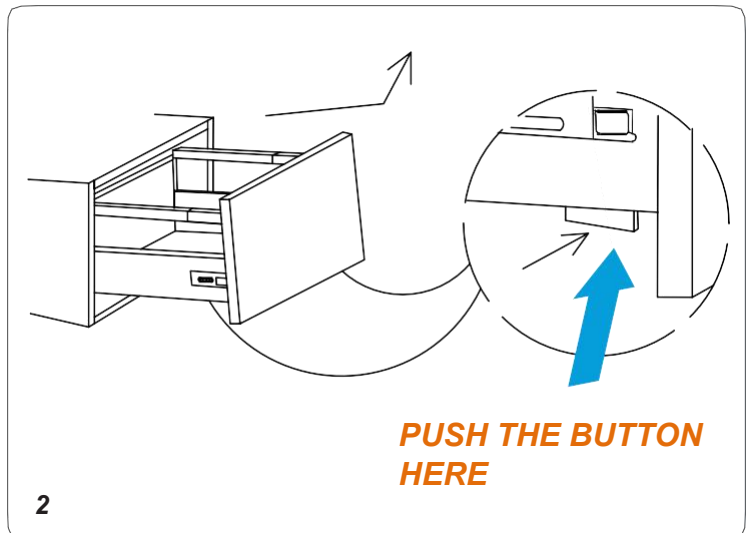
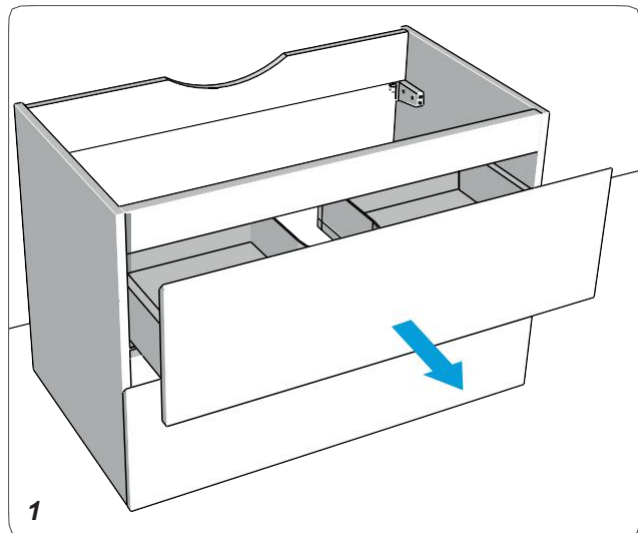
Tools



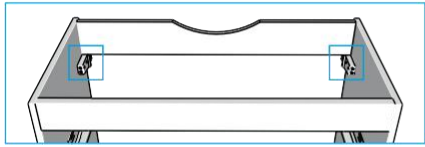
Unpacking



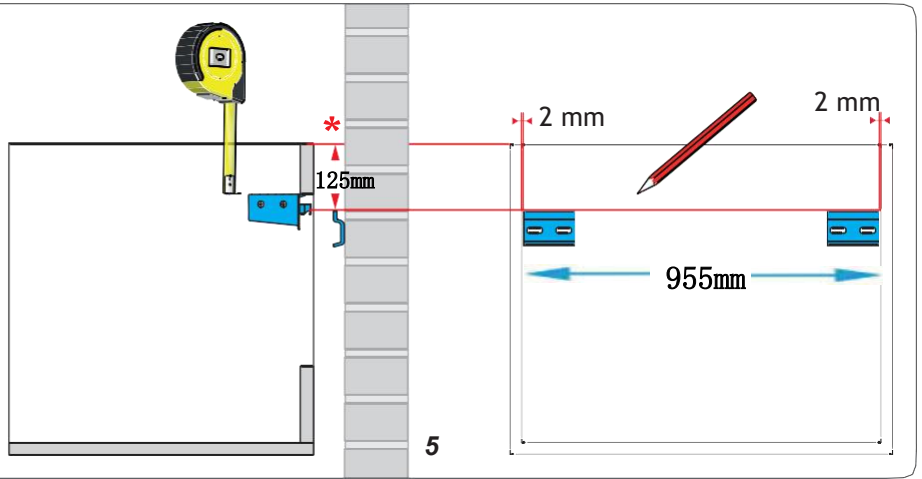
Installation



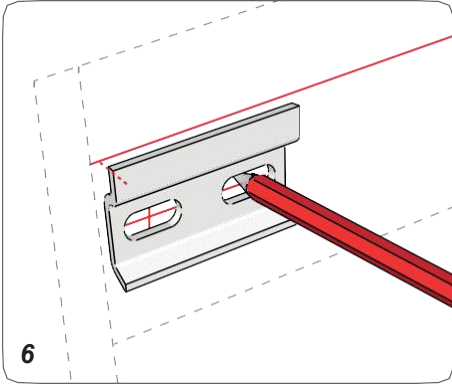
PROTECT FROM DAMAGE



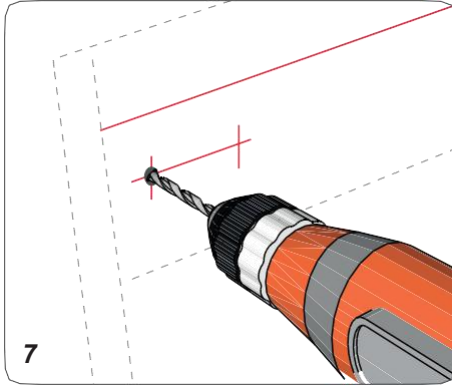
4



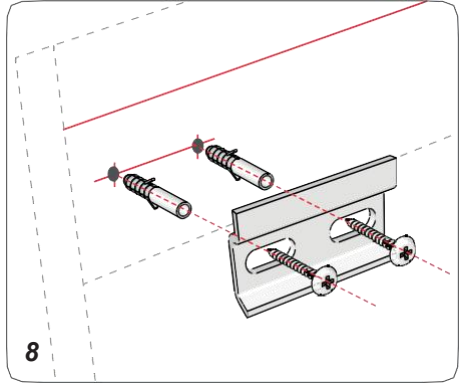
5



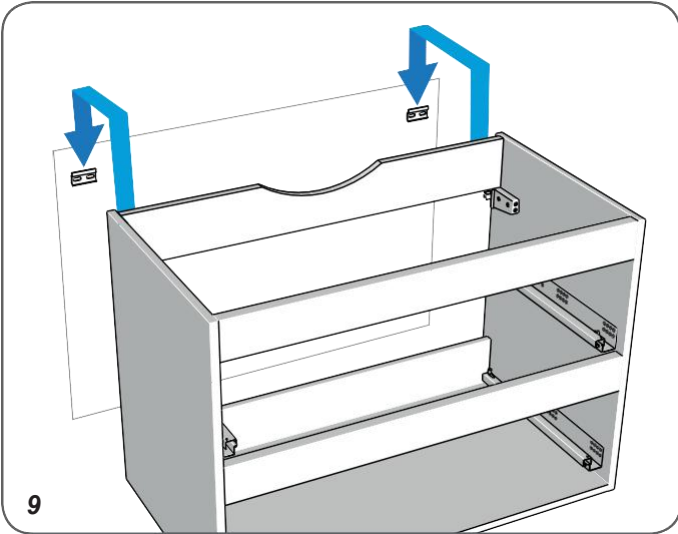
6



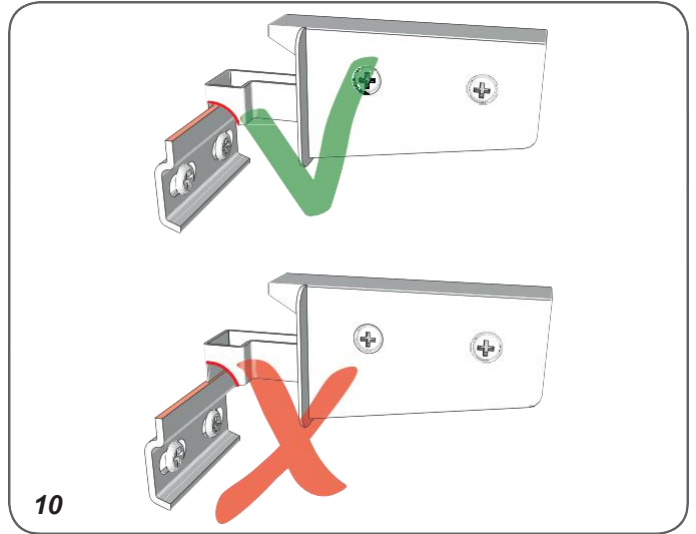
7



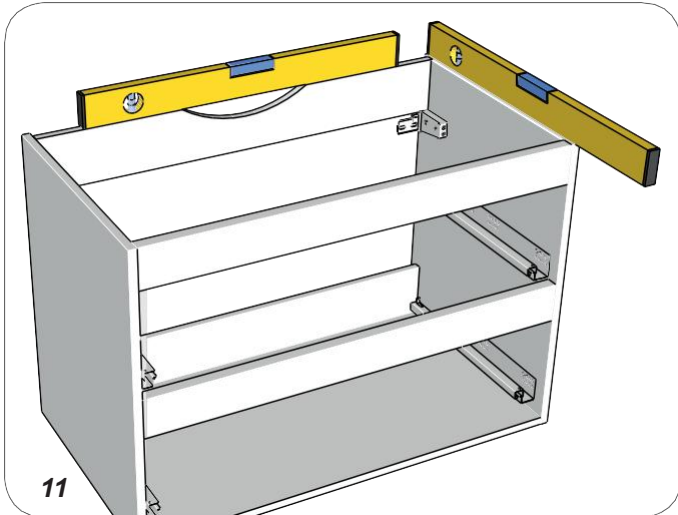
8



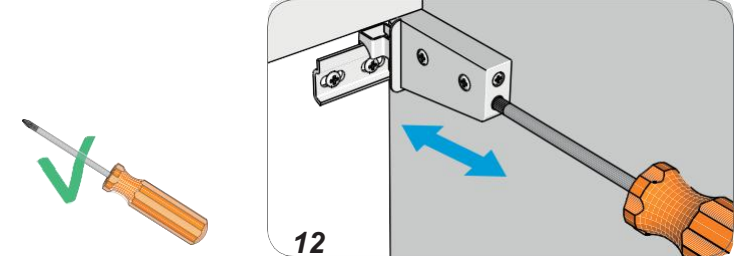
9



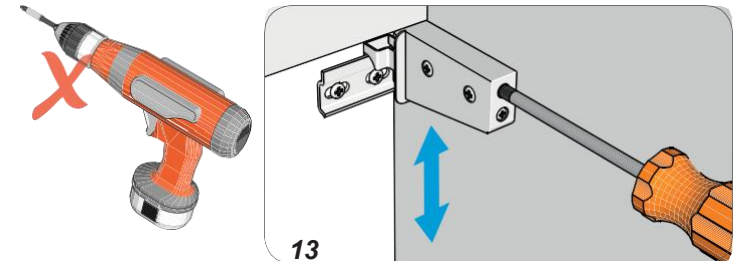
10



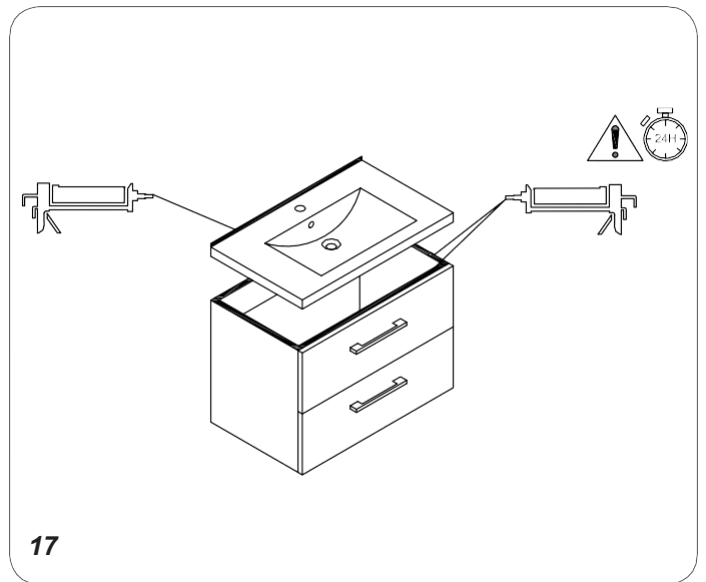
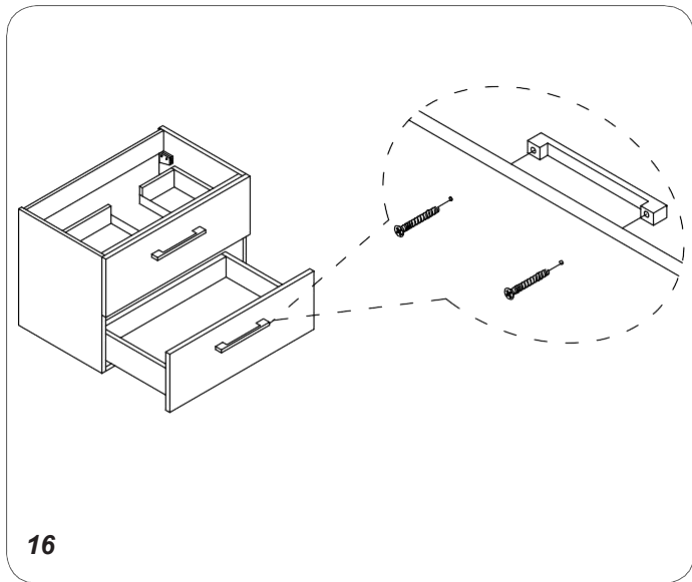
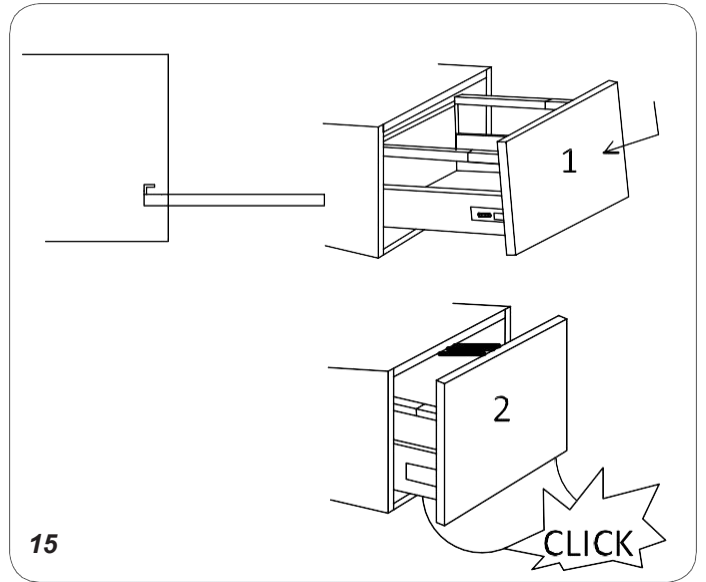
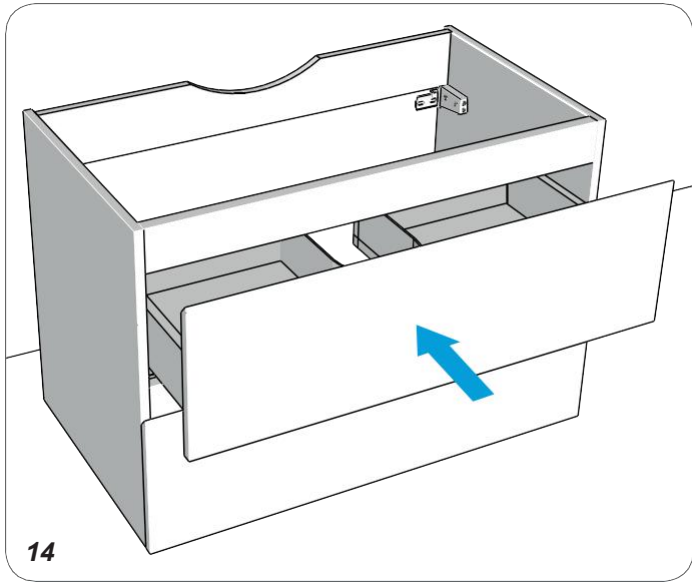
11



12



13



Warranty conditions

If you install the product in a way that differs from this manual this will void all guarantees. Before installation check that the product meets all your requirements and is not damaged. By proceeding with installation, you accept the condition of the product.