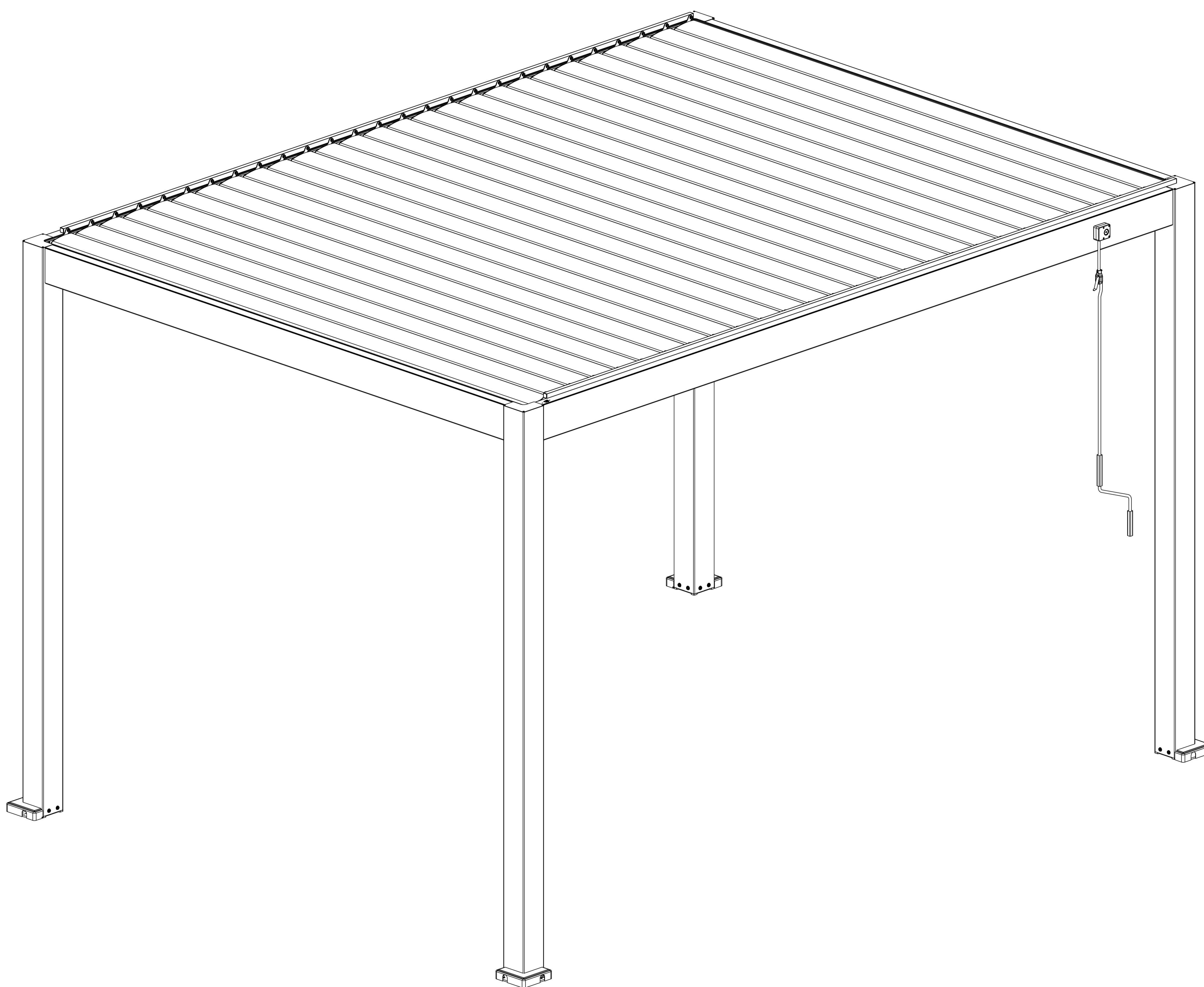


# MODEL M4 ALUMINIUM PERGOLA INSTALLATION INSTRUCTION

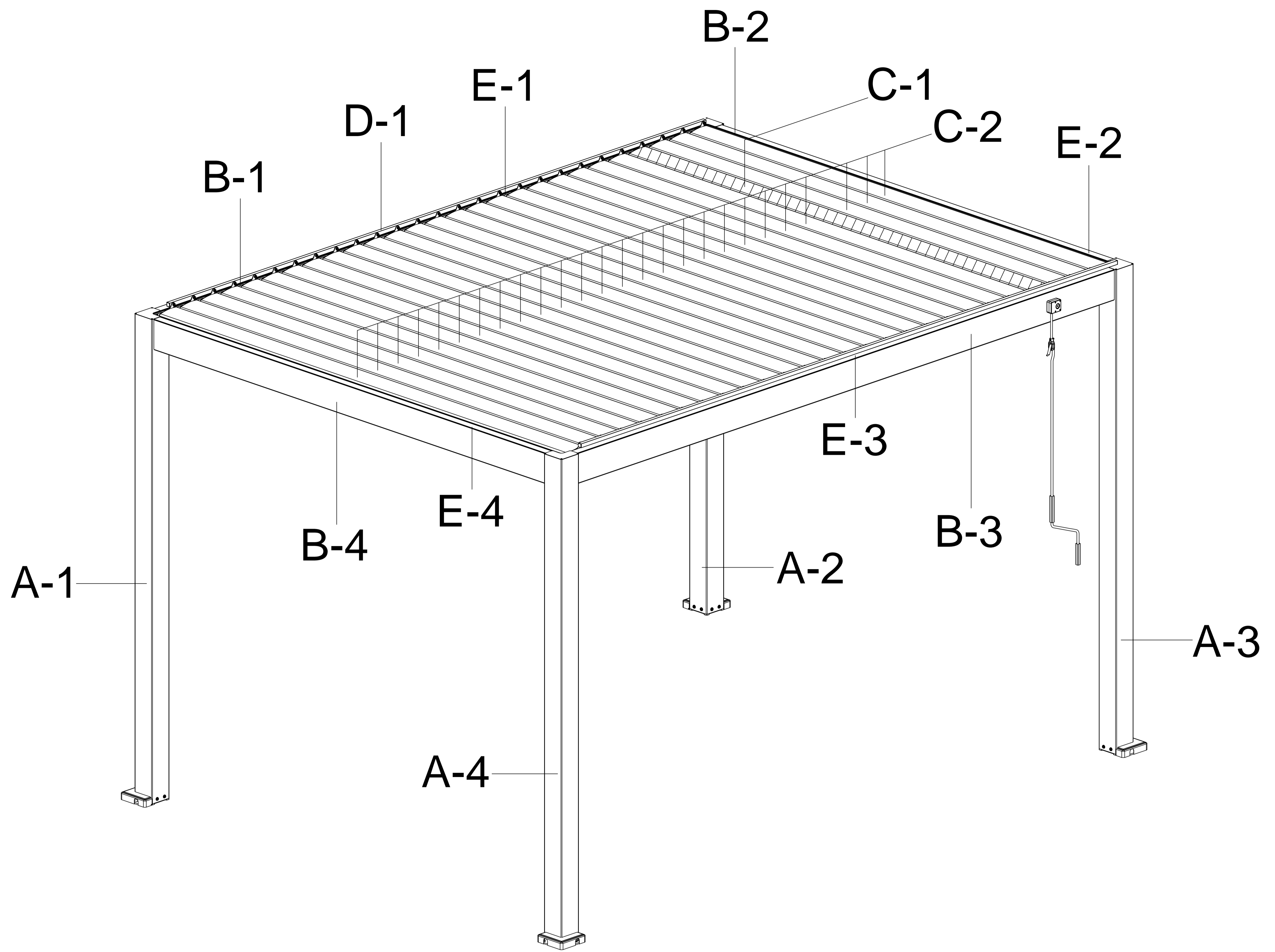


# STATEMENTS

Please read the following carefully before installation:

- 1、 This is a general version of the installation manual. Please make sure to review the design drawings when placing your order and read this manual several times before beginning to assemble the flap louvers. The installation steps can be referred to this manual, but other specific details, such as motor position, drainage direction, etc., should be based on the design drawings of the order placed.
- 2、 Check the parts list, don't throw away any packaging until you are sure you have all the parts.
- 3、 Installation requires at least 3 people.
- 4、 It is highly recommended that you secure the pergola to a concrete base plate to provide maximum stability when securing it to the ground.
- 5、 It needs 2 people to lift the product parts from the package ,please put the product very gentle ,it is better to cover a carpet or hard paper box on the floor to protect it from scratching.
- 6、 Don't drag the goods on the ground to avoid the profile collision with other obstacles causing damage.
- 7、 The plastic packaging film on the surface of the product should be removed step by step during the installation process or immediately after the installation is completed, because it will melt in hot weather.
- 8、 Please do not DIY our product and take use of the other alternative accessories when you change the original design ,that will void your warranty.
- 9、 We hold no responsibility for any damage caused due to human factor,especially incorrect assembly.

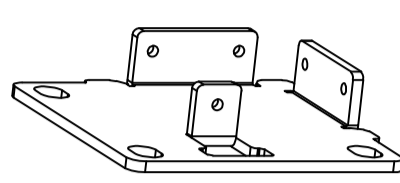
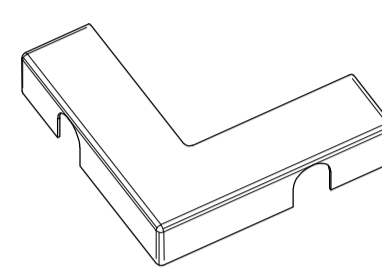
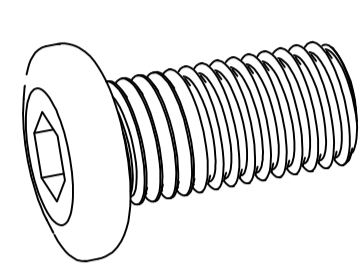
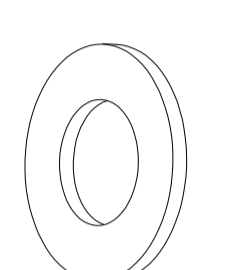
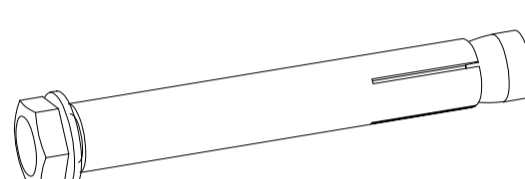
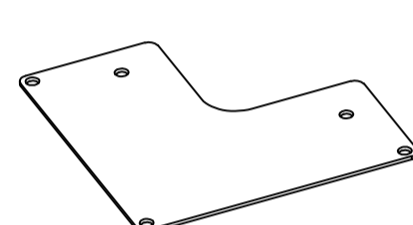
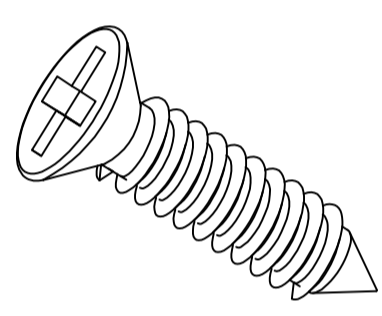
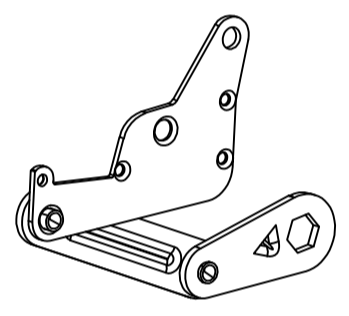
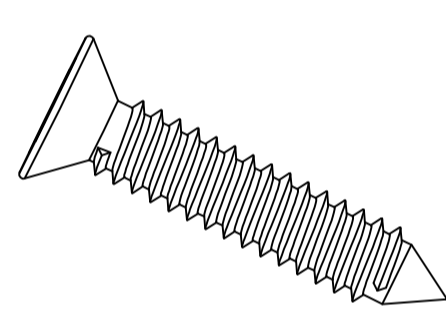
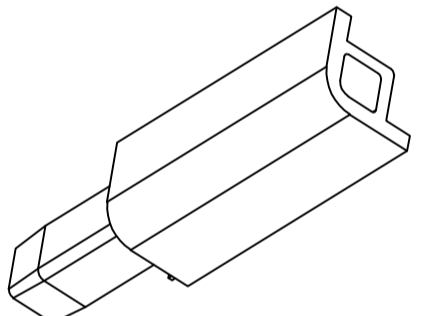
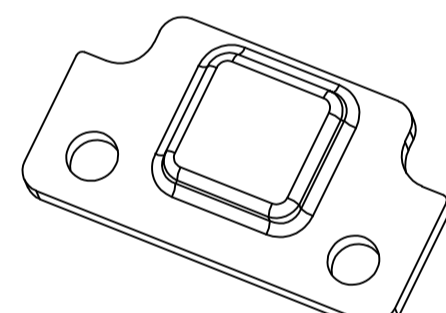
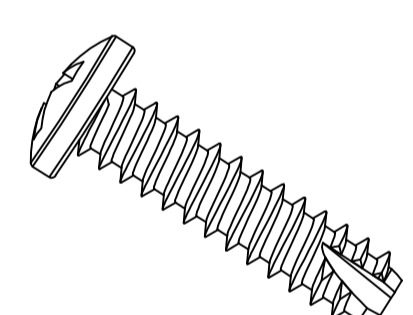
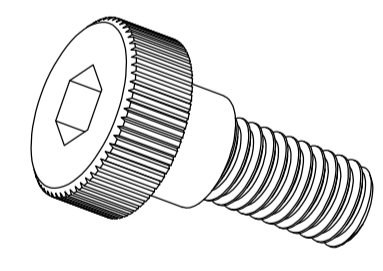
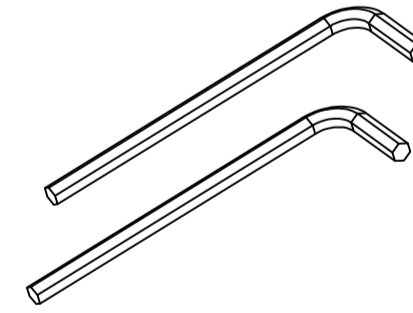
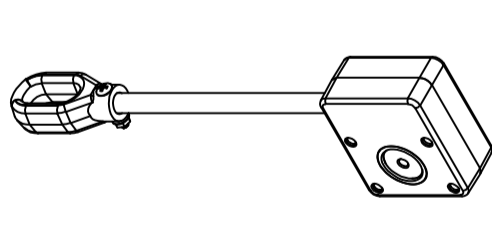
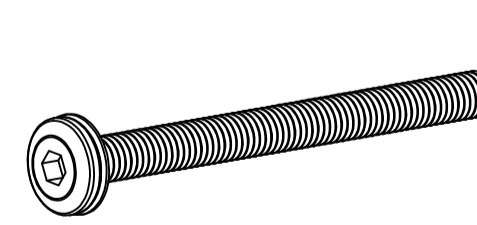
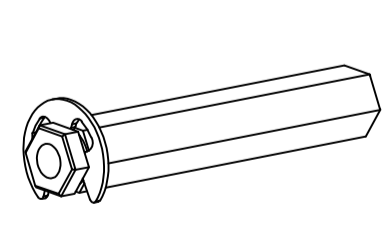
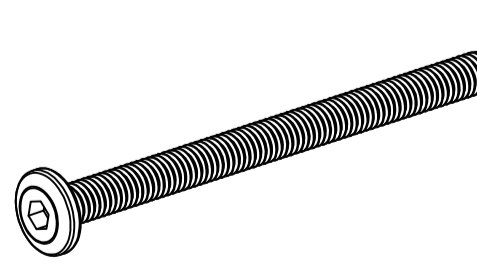
# Components

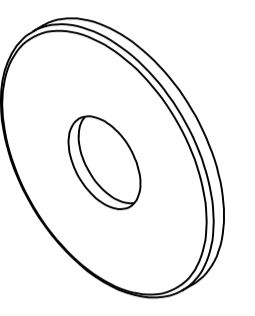


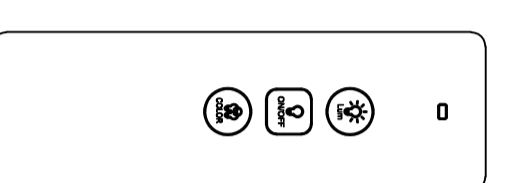
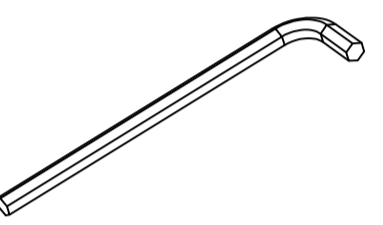


code	name	section	photo
A-1	post		
A-2	post		
A-3	post		
A-4	post		
B-1	beam& gutter		
B-2	beam& gutter		
B-3	beam& gutter		
B-4	beam& gutter		

code	name	section	photo
C-1	driven Louvre		
C-2	Louvre		
D-1	connection bar		
E-1	gutter flashing		
E-2	gutter flashing		
E-3	gutter flashing		
E-4	gutter flashing		

## Hardware

code	name	photo
1	base plate	
2	base plate cover	
3	SUS hex screw (M8*14)	
4	M8 gaskets	
5	M10*100 SUS hex expansion bolt	
6	L post end cover	
7	4.2*16cross self-tapping screw	
8	M4 mechanical arm device(right)	
9	cross self-tapping screw(4*20)	
10	post corner extension piece	
11	louvre pivot cap	
12	4*14SUS cross tapping screw	
13	ø8*M6*5corkscrew	
14	Hex wrench(5mm)	
15	Hand crank device	
16	M6*75 SUS hex bolt (includes gaskets)	
17	External headstock shaft (with circlip)	
18	SUS hex bolt(M6*85)	

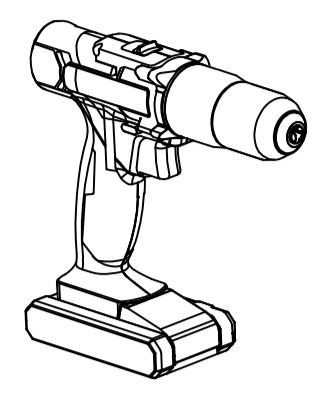
code	name	photo
19	M6*18*2 gasket	
20	hand crank	
21	control system bar(single motor+led light)	
22	remote	
23	short Hex wrench (5mm)	

## Note:

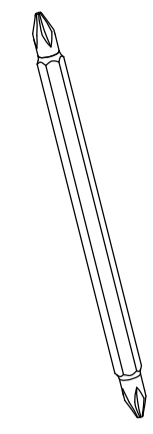
The silicone sealant and installation tools are not offered, please purchase them in local.



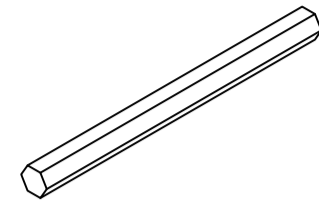
## What you need



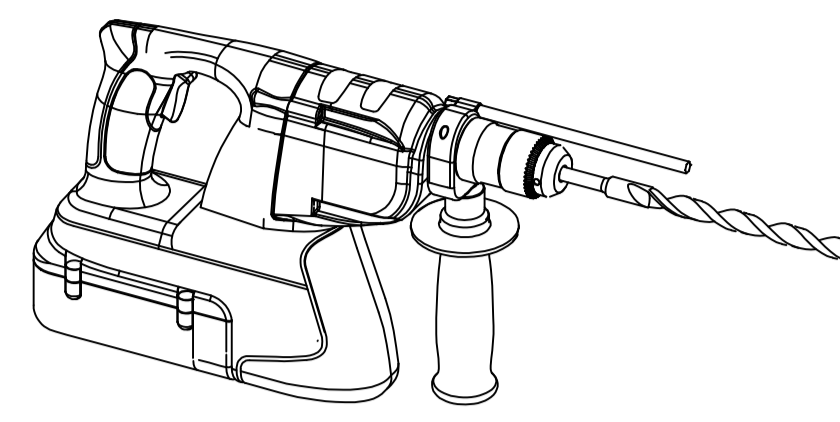
drill



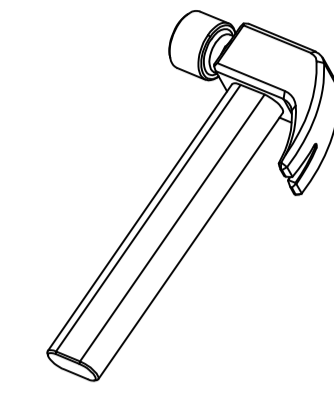
screwdriver bit



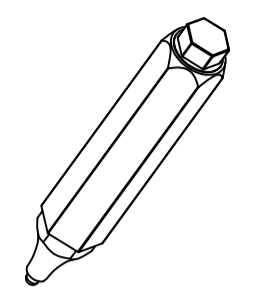
4mm hex key



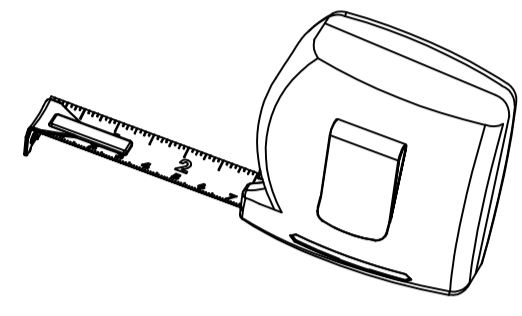
electrical,  $\phi 12\text{mm}$  drill



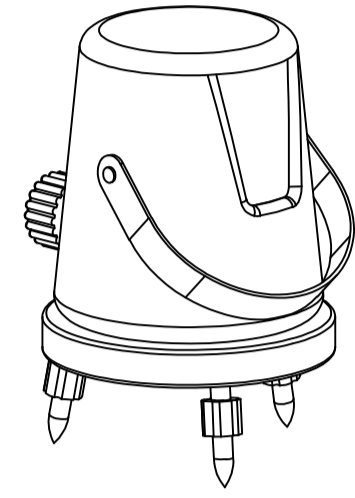
hammer



marker



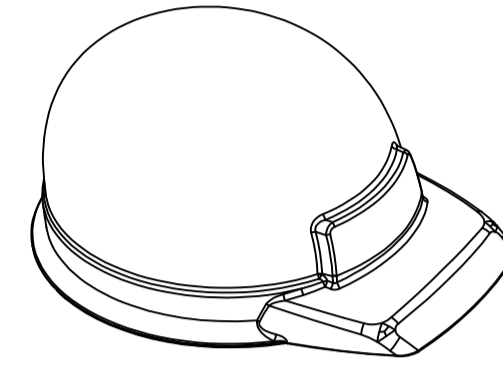
tape measure



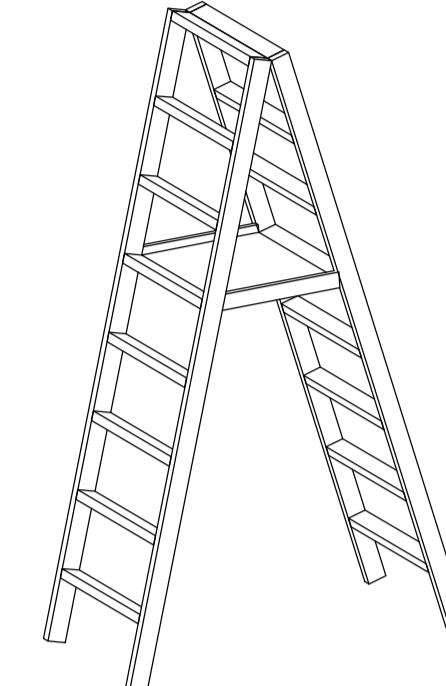
gradienter



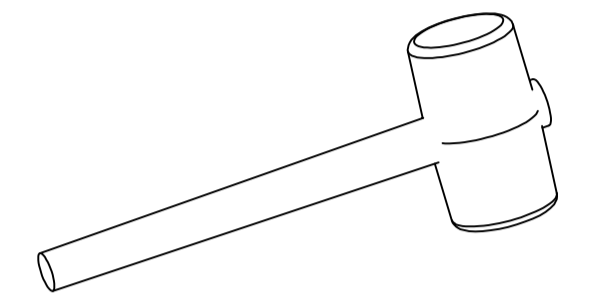
16mm wrench



helmet



ladder



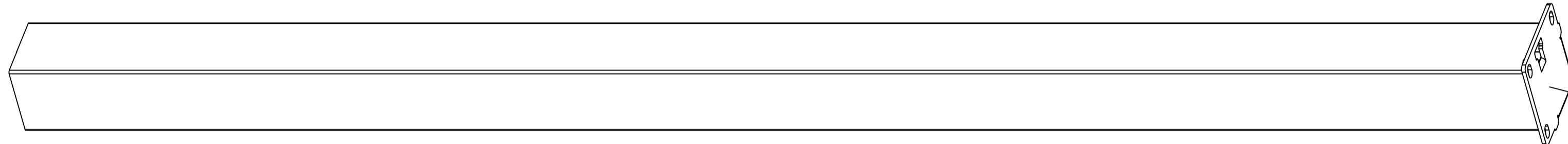
rubber hammer

## INSTALLATION

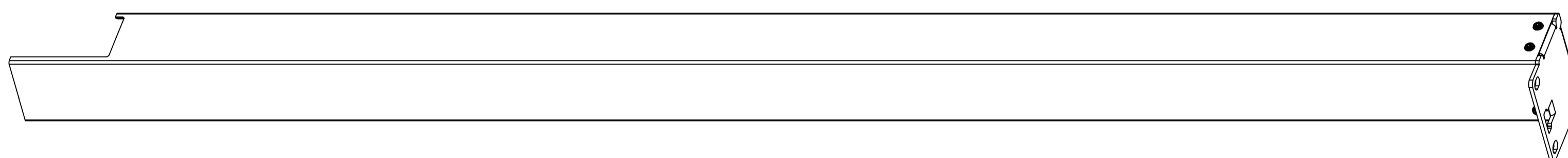
### Step one: Assemble the post and base plate

1.1. Insert the base into the bottom of the post and fix it with screws.

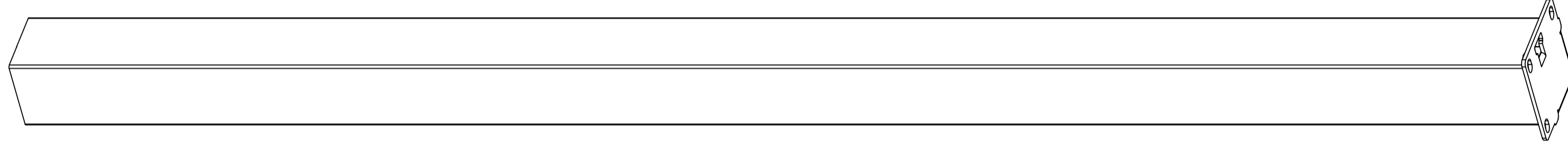
A-1



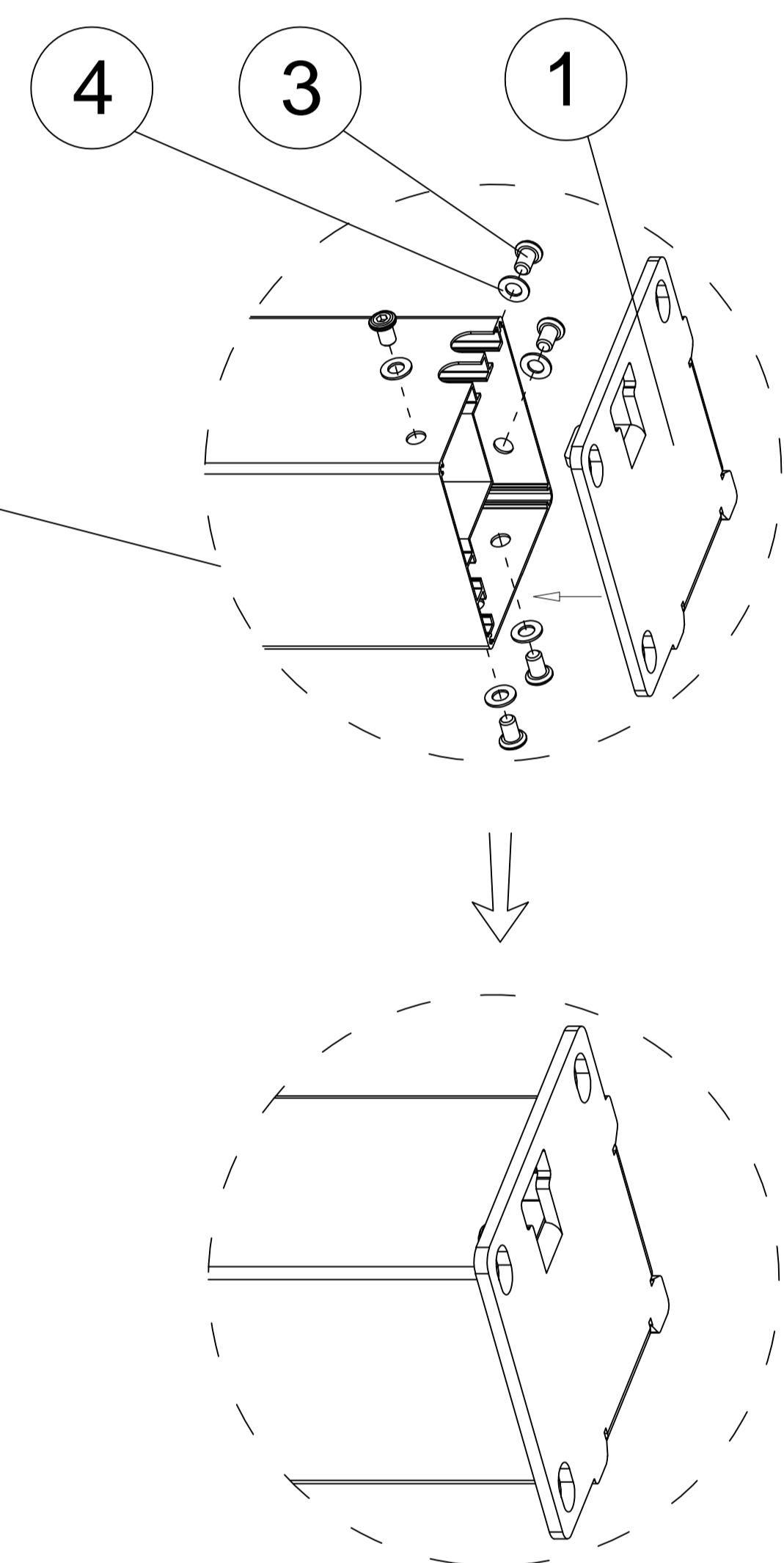
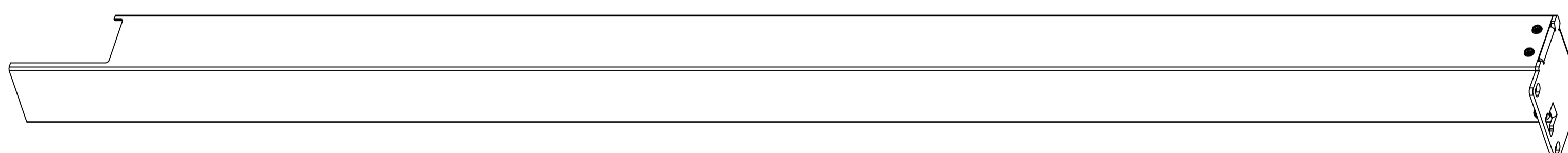
A-2



A-3

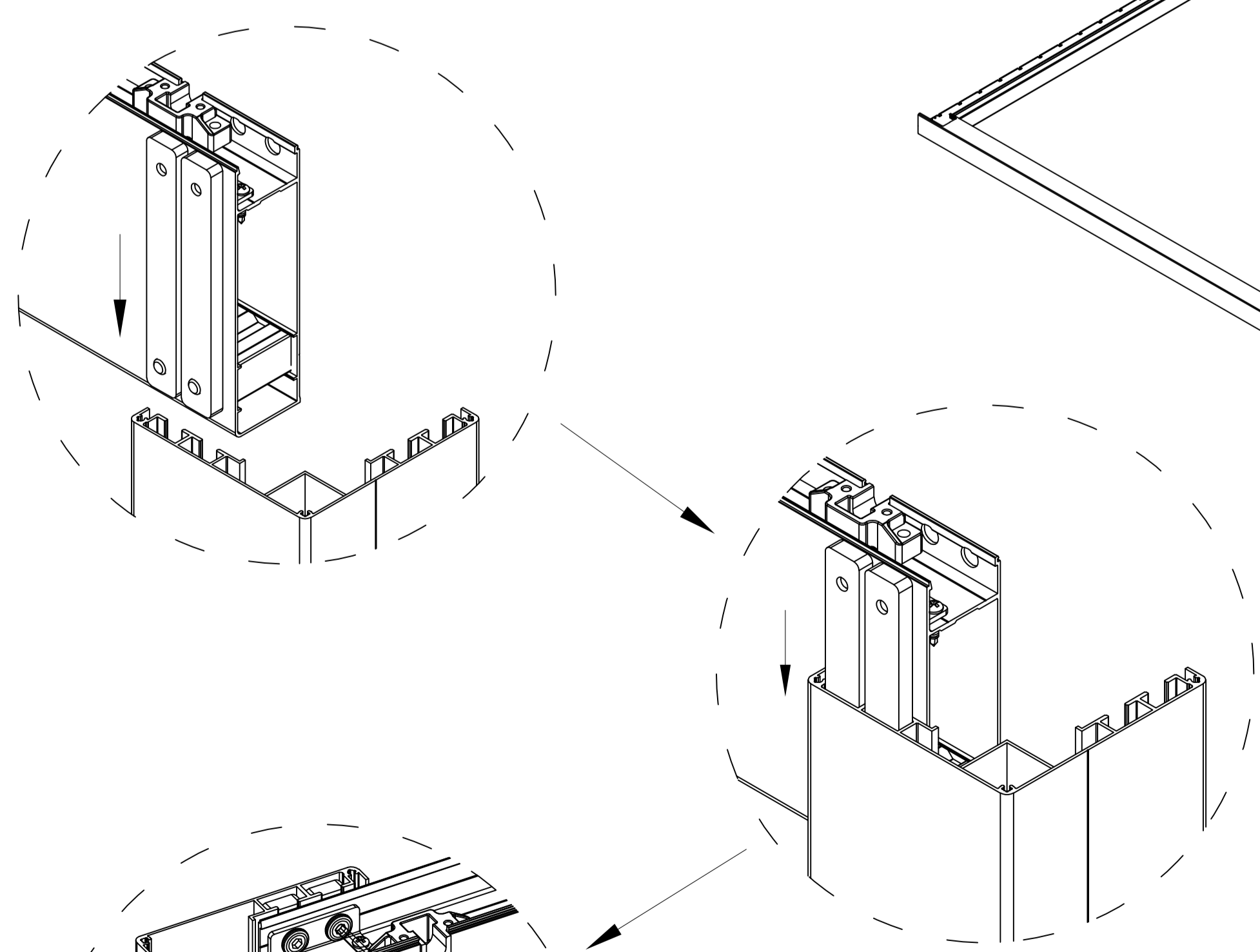


A-4



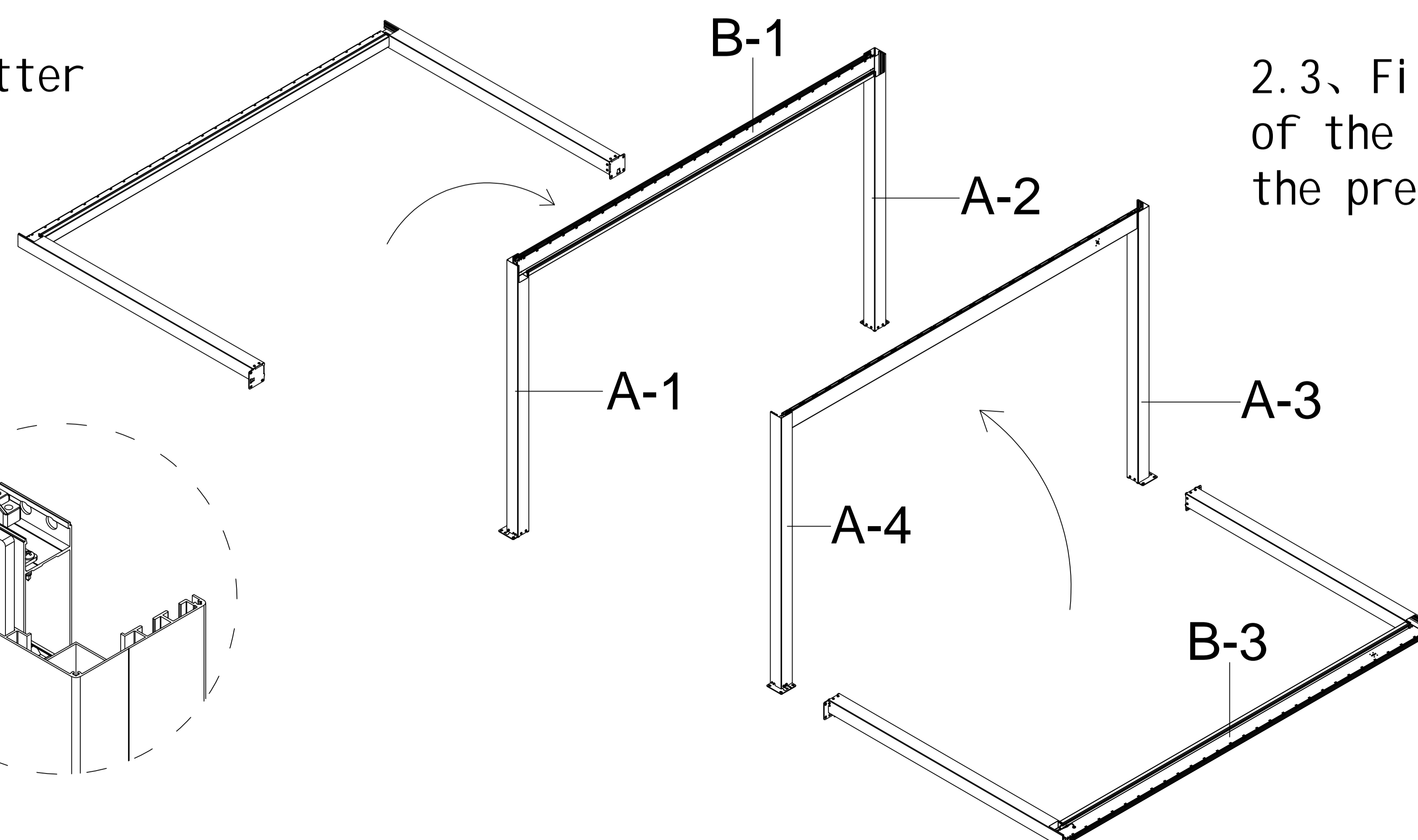
### Step two: Assemble the pergola frame :do assemble beam gutter with posts first

2.1. Insert the beam&gutter into the groove of post



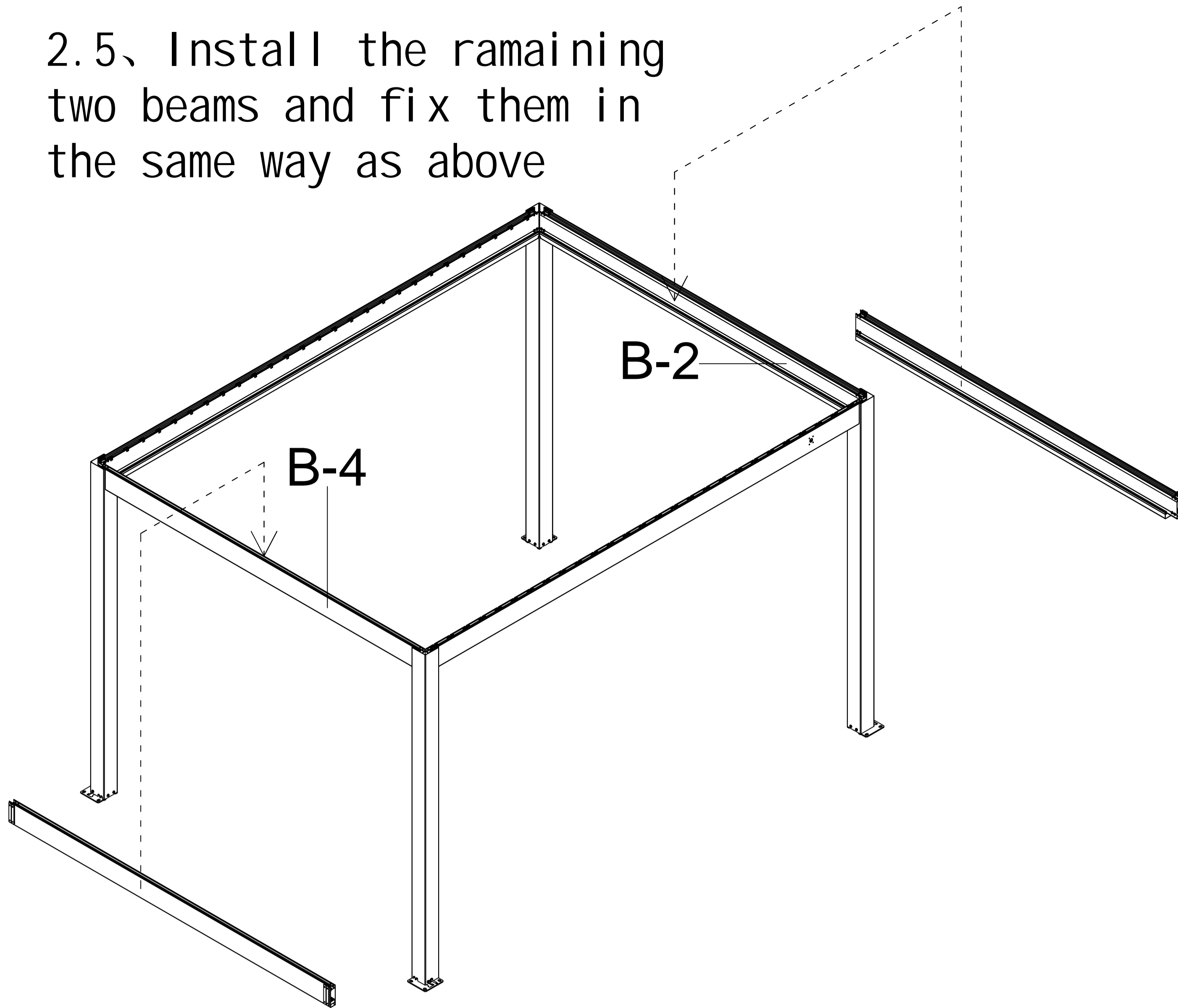
2.2. fasten it tight

2.3. Fix the other half of the beam gutter as in the previous step

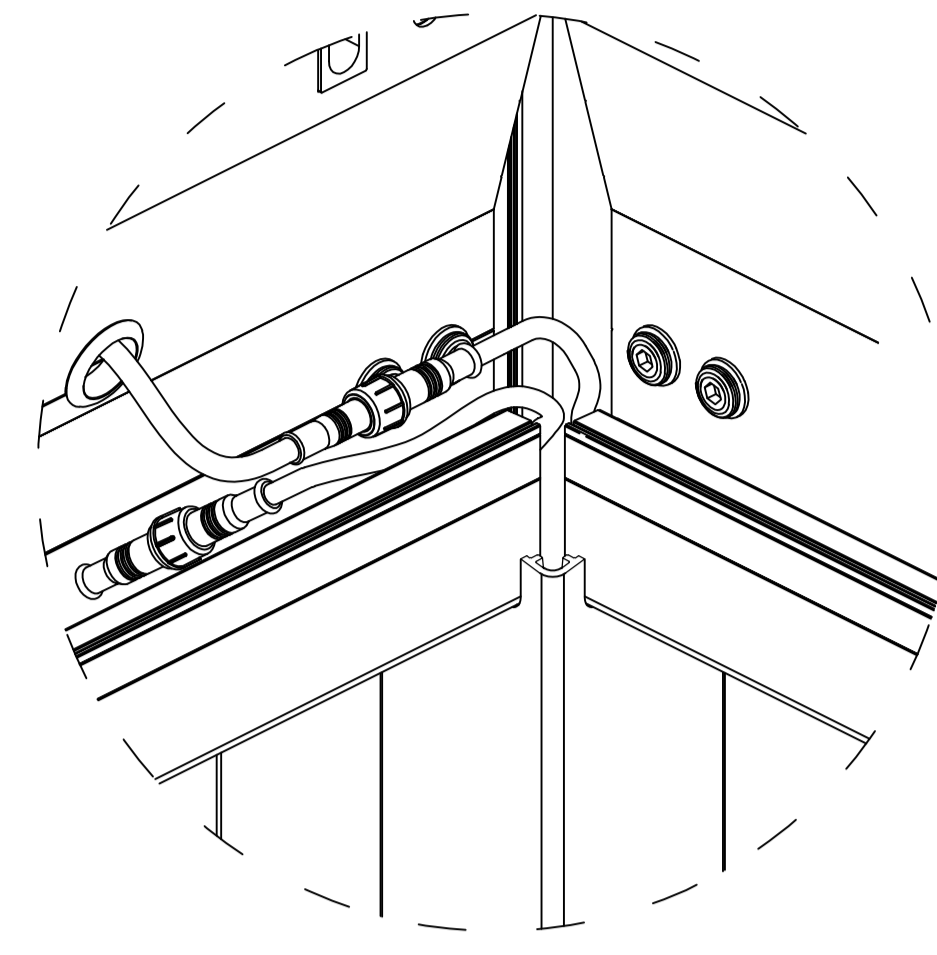


2.4. Assemble frame on the floor and make it stand

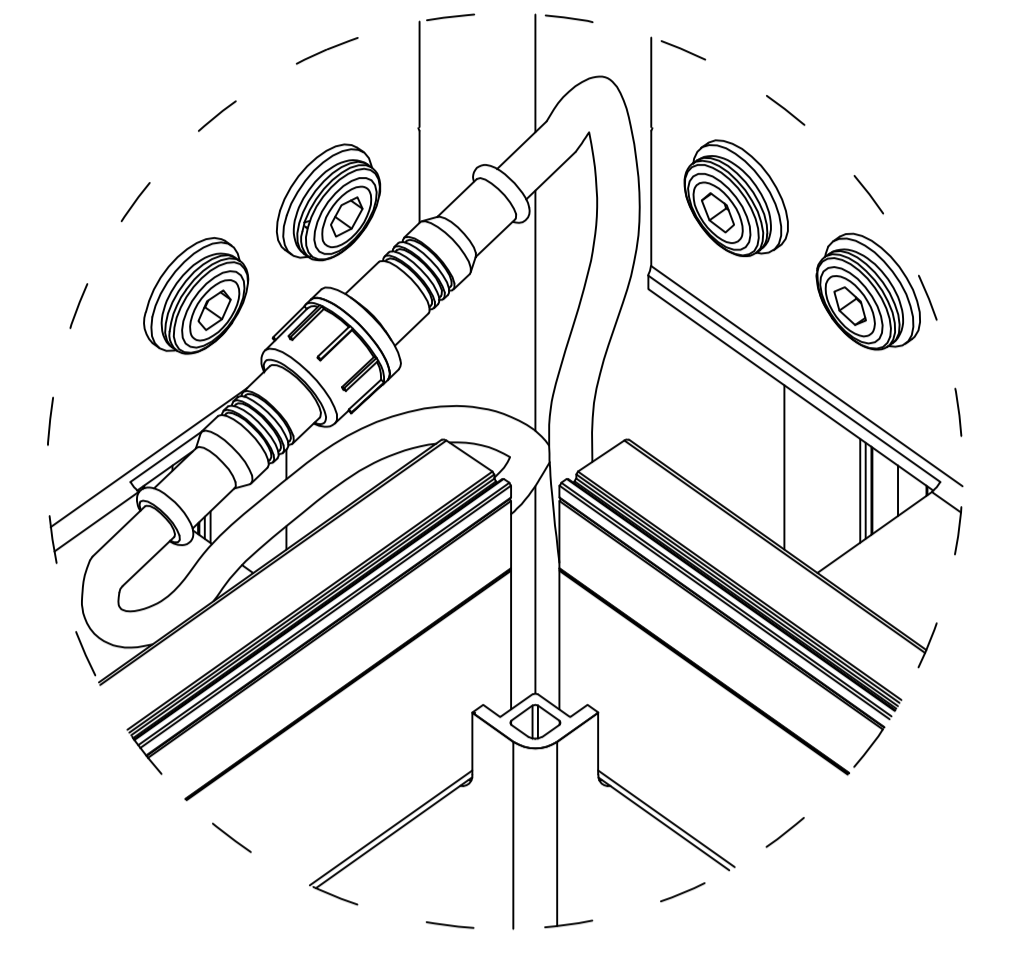
2.5. Install the remaining two beams and fix them in the same way as above



2.6. Connect beam gutter light strip

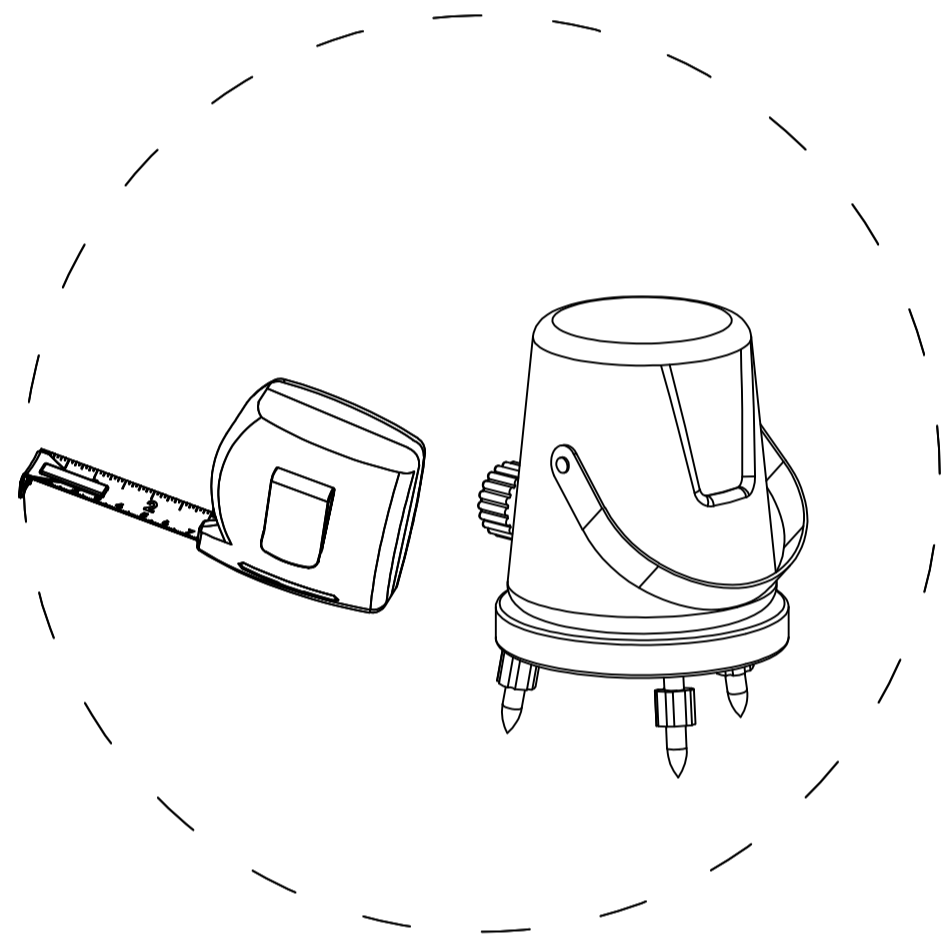


2.6.1. connect the three pins led light cable

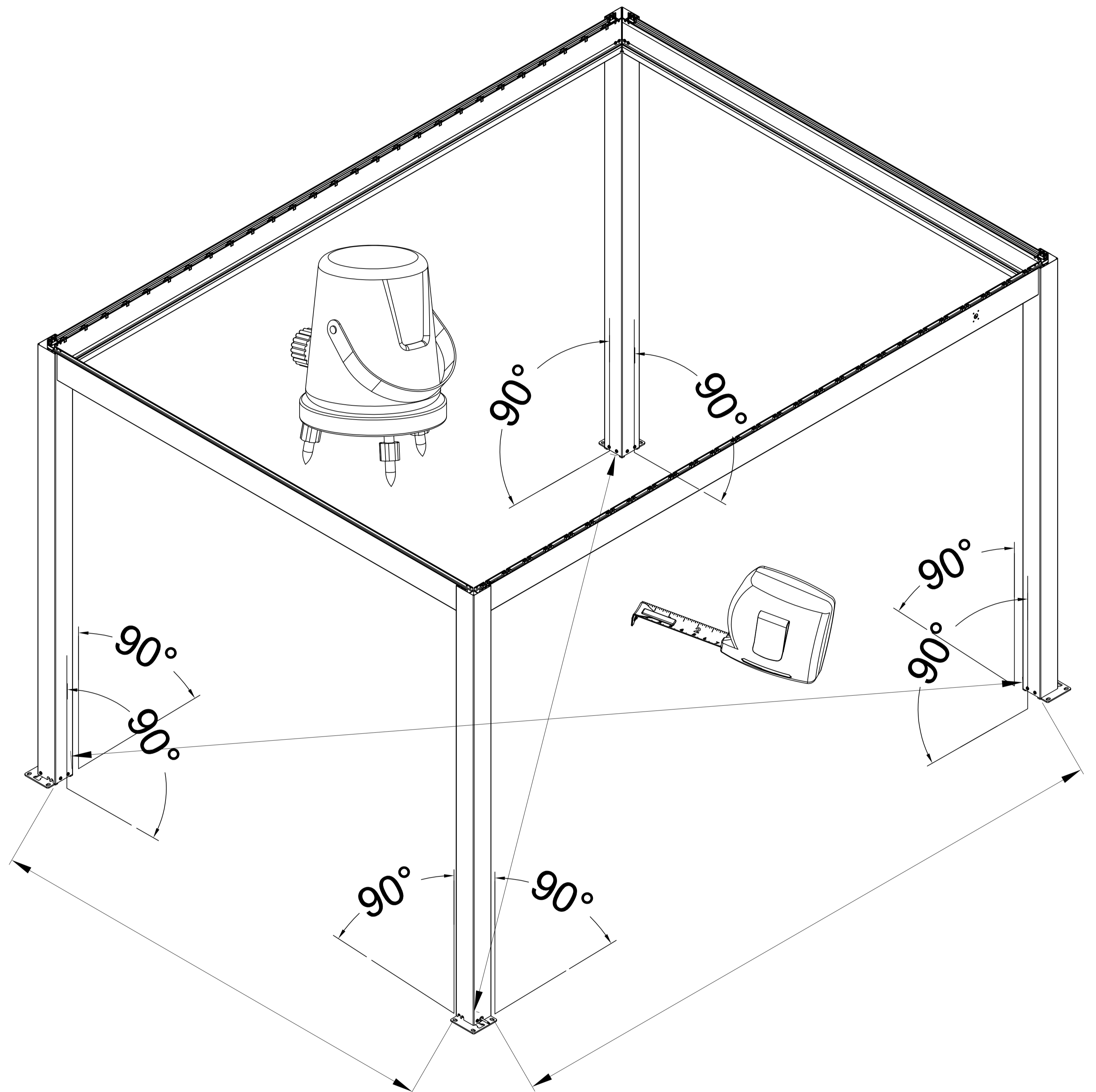


2.6.2. finish the remain cable connectors as previous step

### Step three: Adjust the size

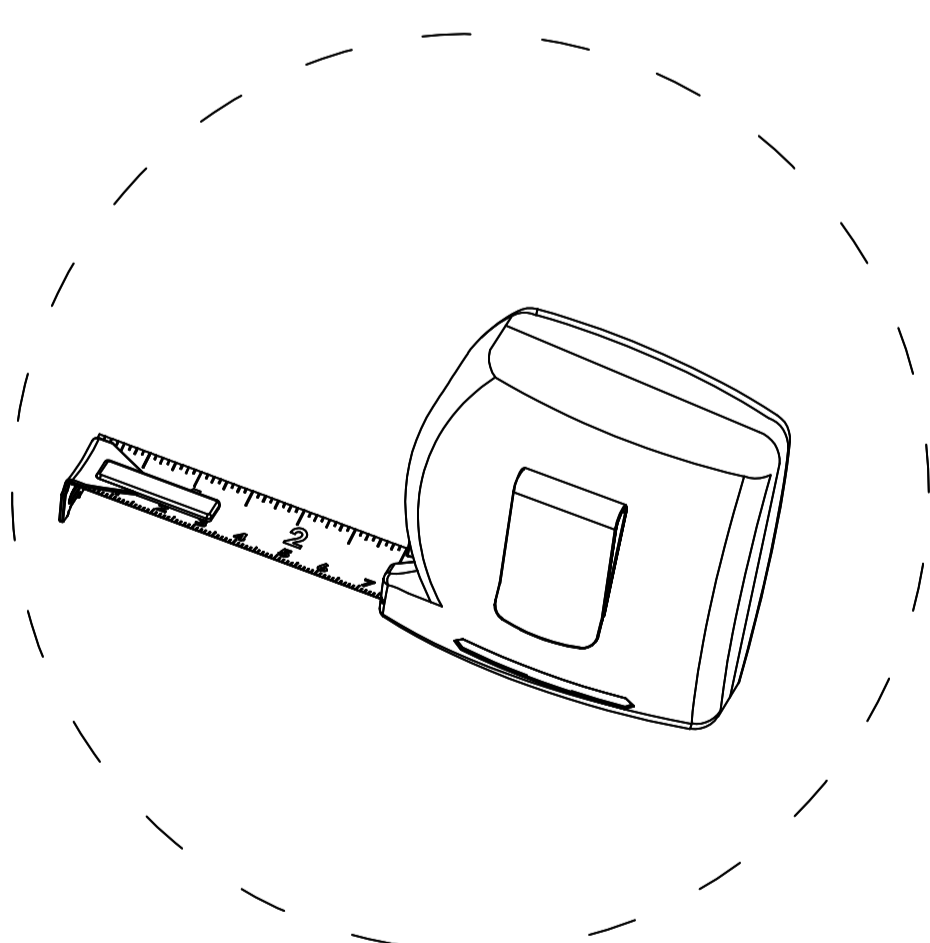


3.1. Adjust the position.  
(Adjustment of post spacing, parallelity, height)

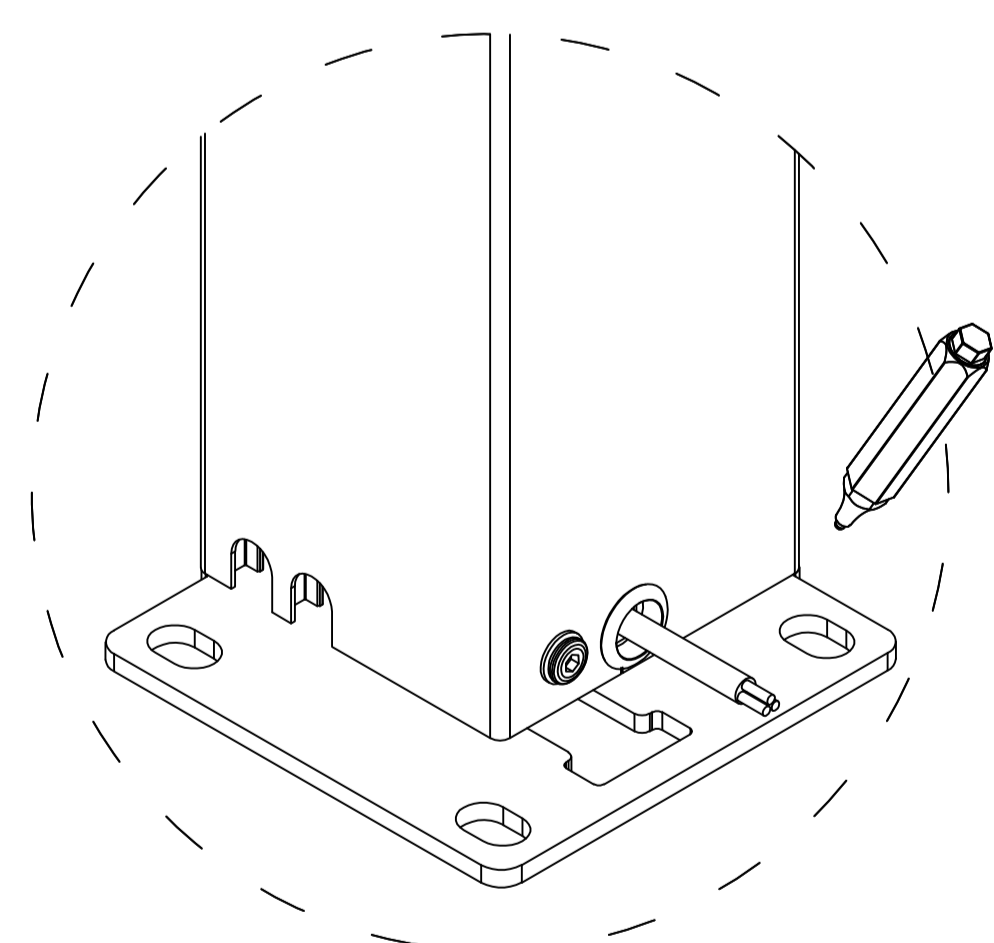


#### ⚠ Notice:

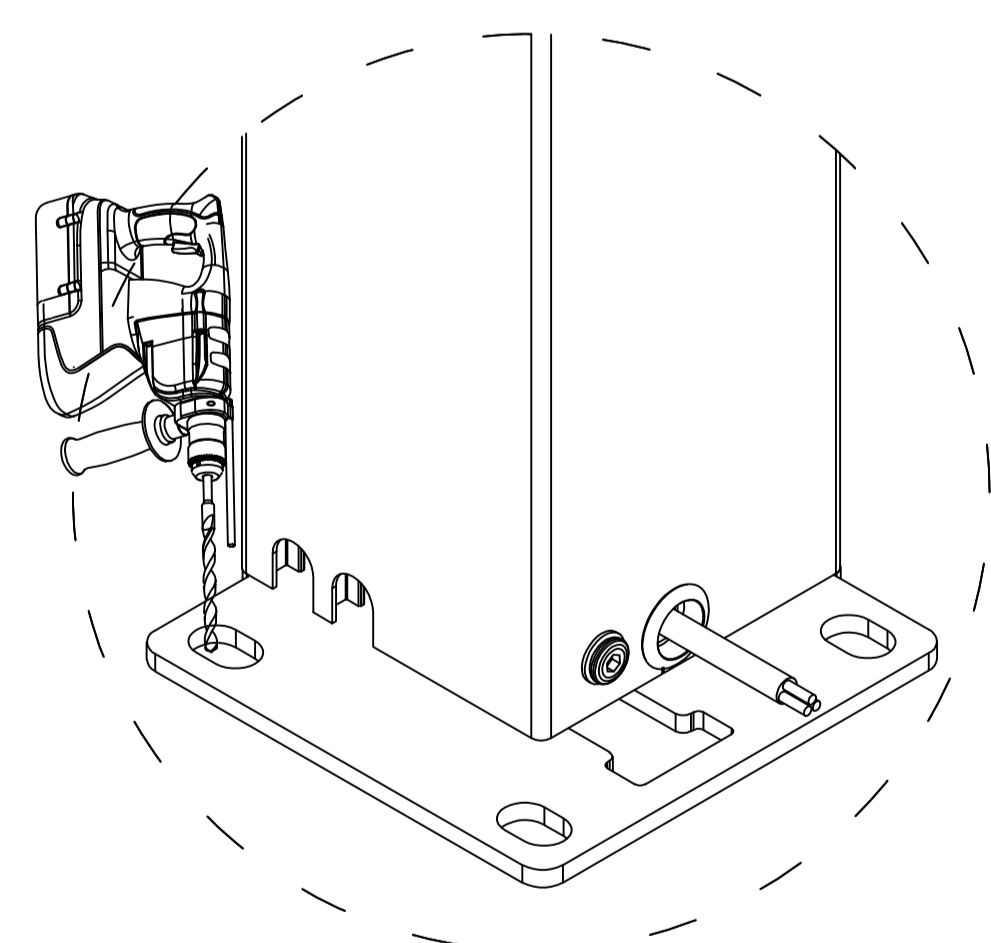
1. Use a level to ensure that the post is fixed at 90 degrees to the ground.
2. It needs to be checked before tightening the screws. Because the drilling process of the drill bit may affect the post and produce displacement.



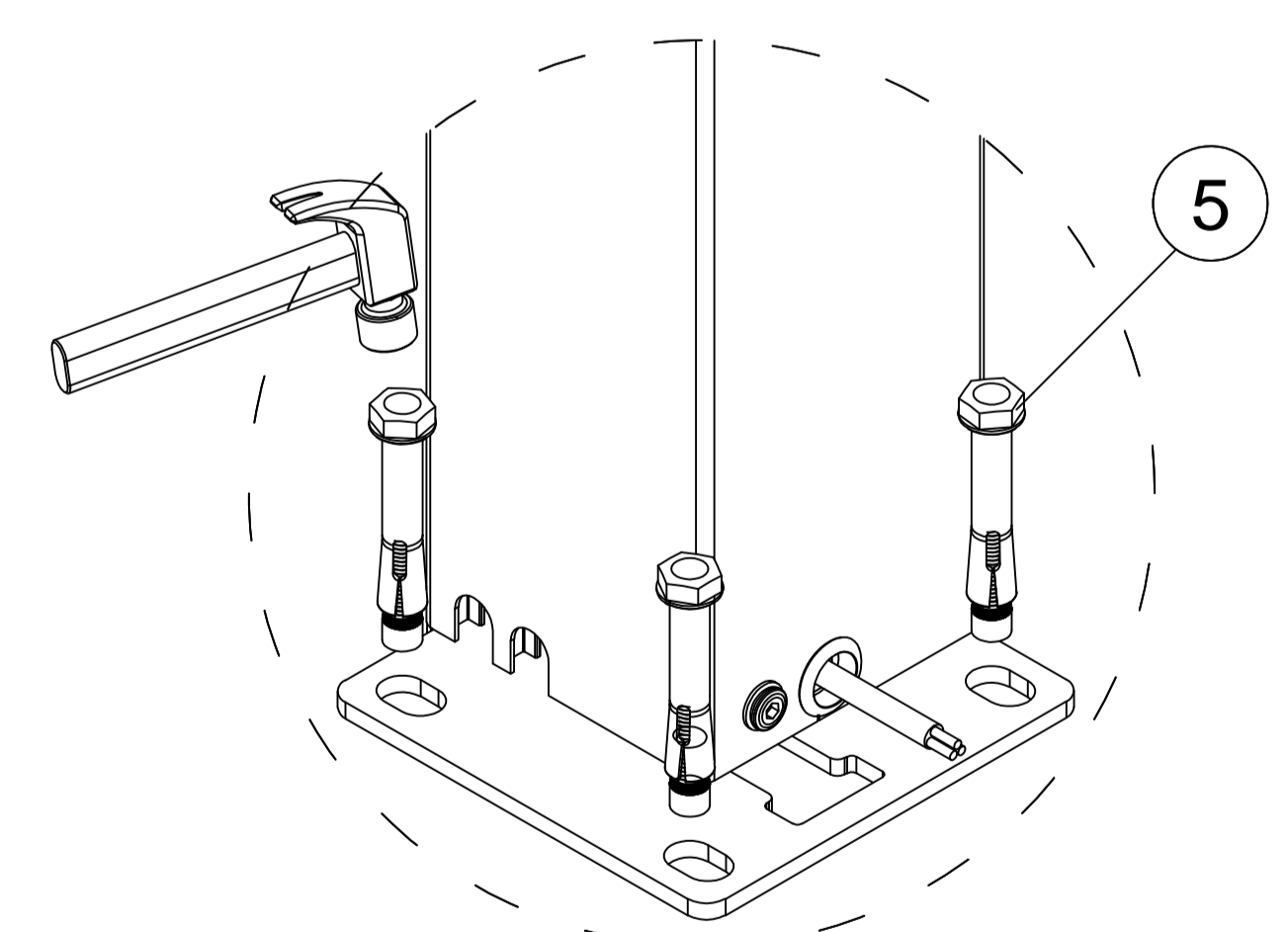
3.2. Check the dimensions again, there may be displacement from the previous step



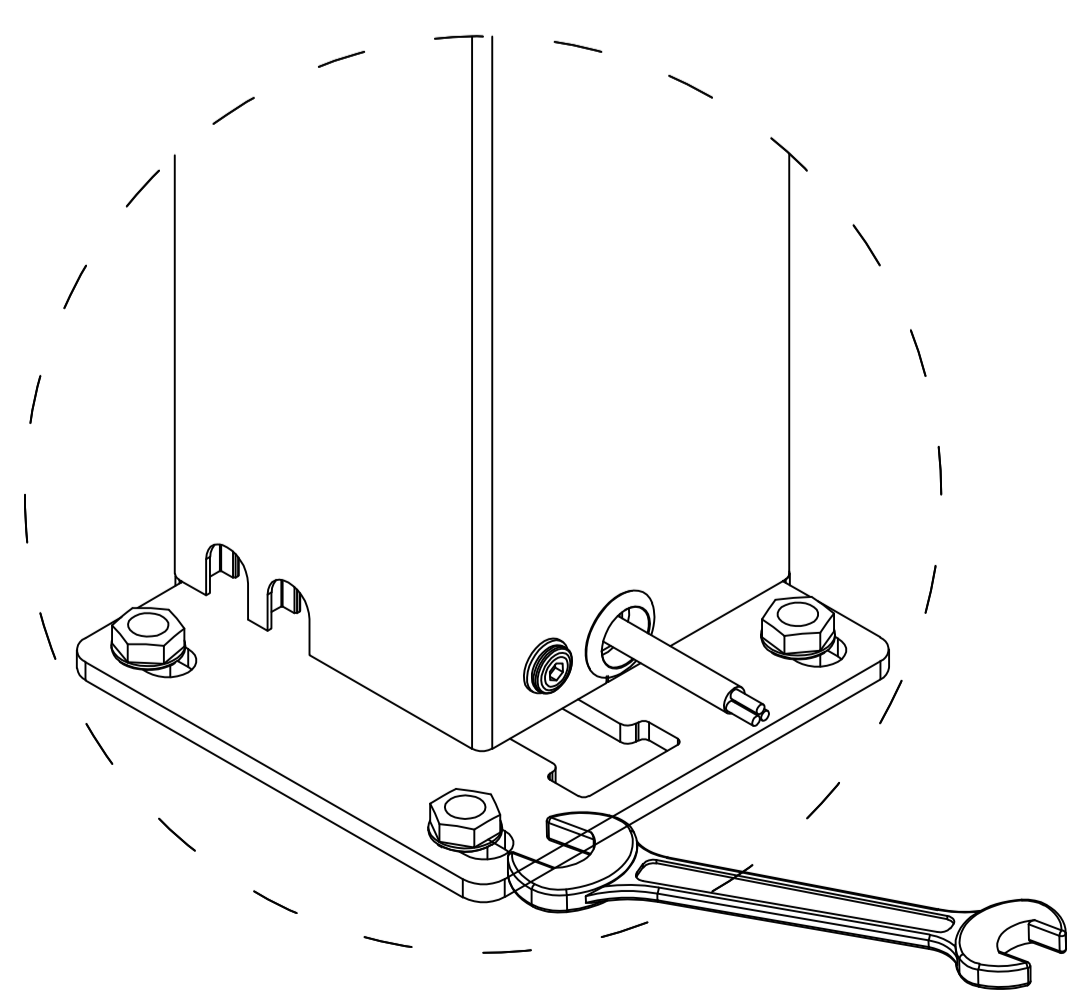
3.3. Mark the base holes with a pen



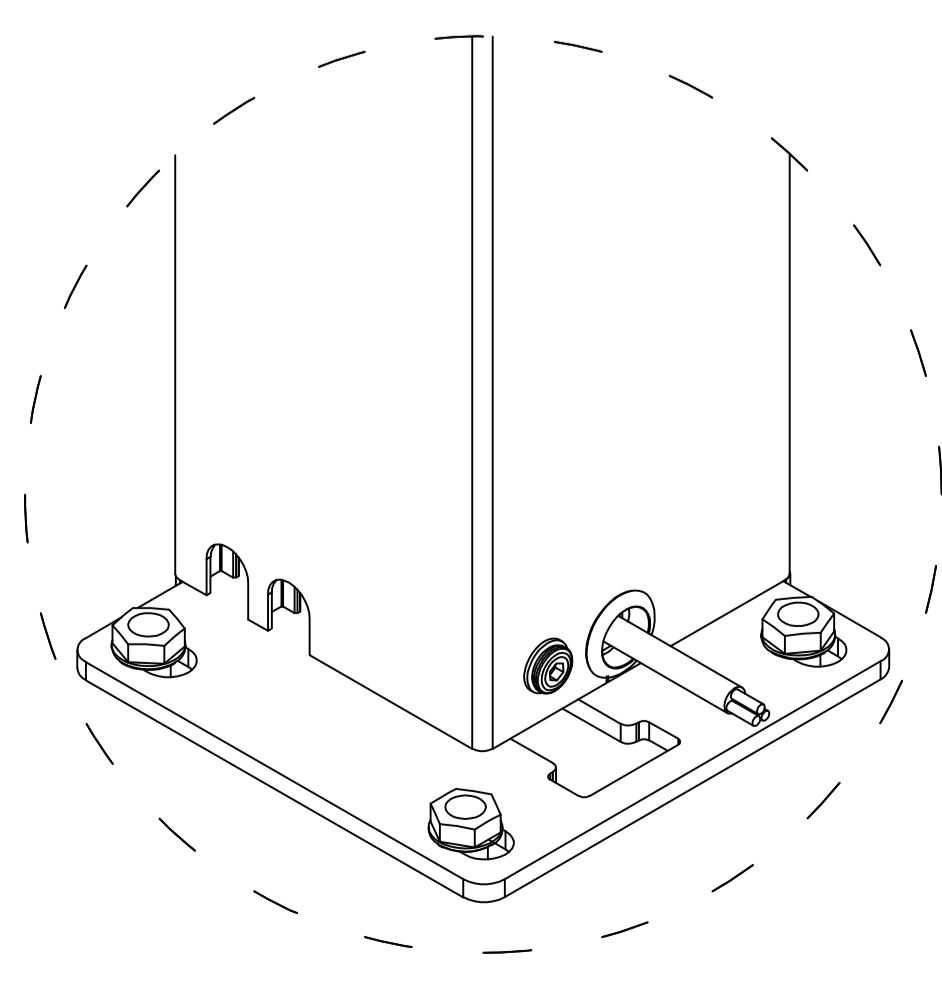
3.4. drilled hole  $\phi 12$



3.5. Tap the screws into the drilled holes.



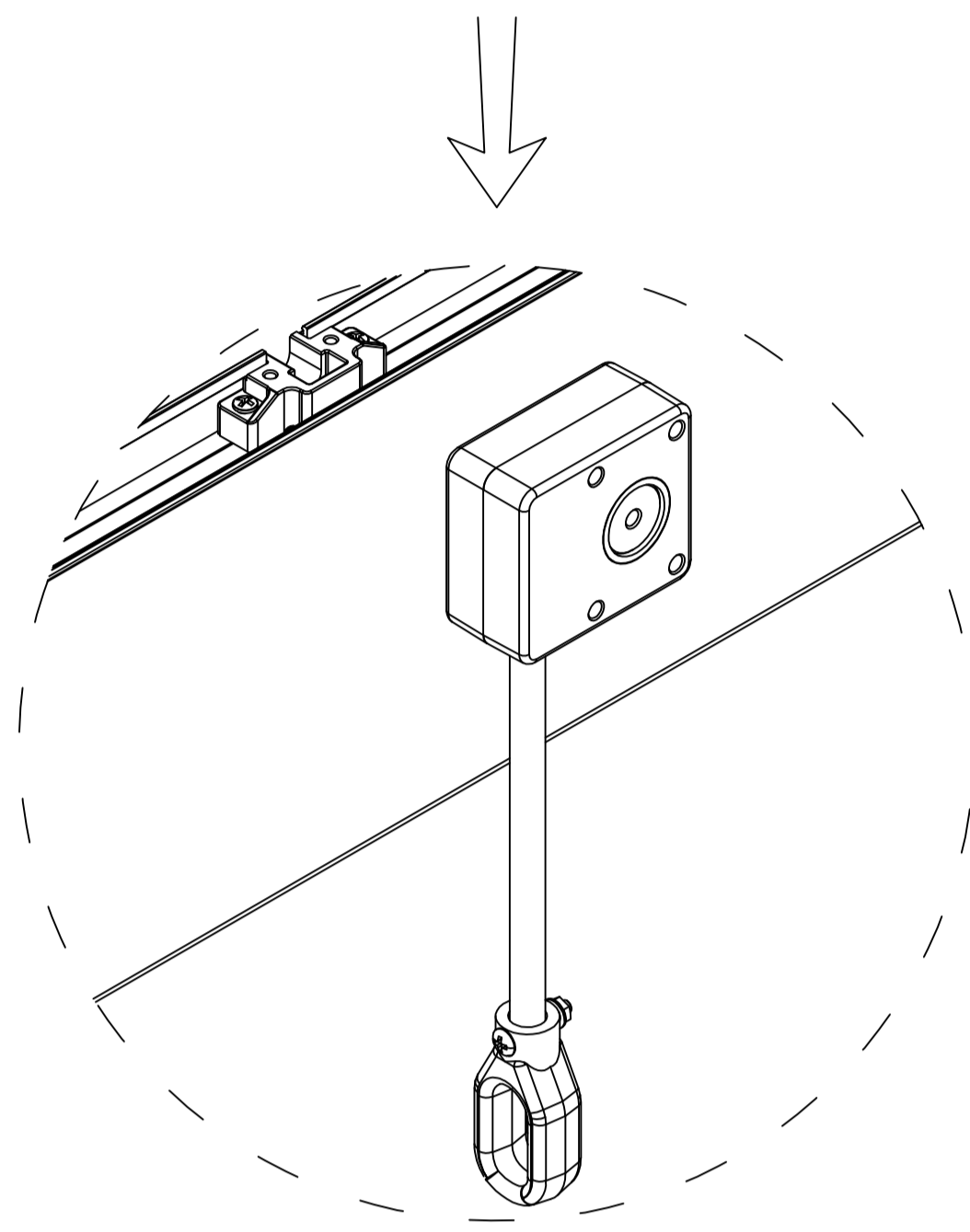
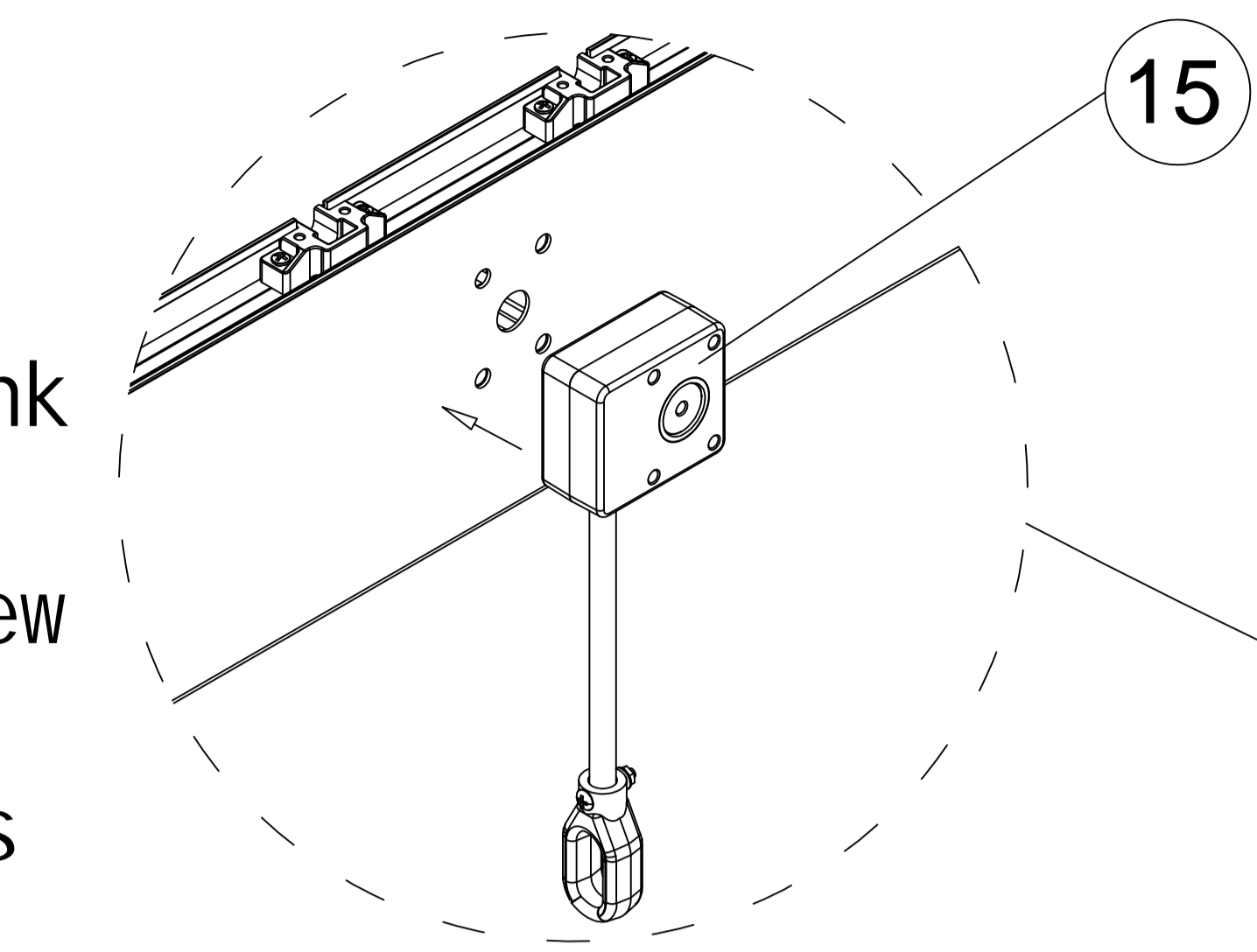
3.6. tighten screws



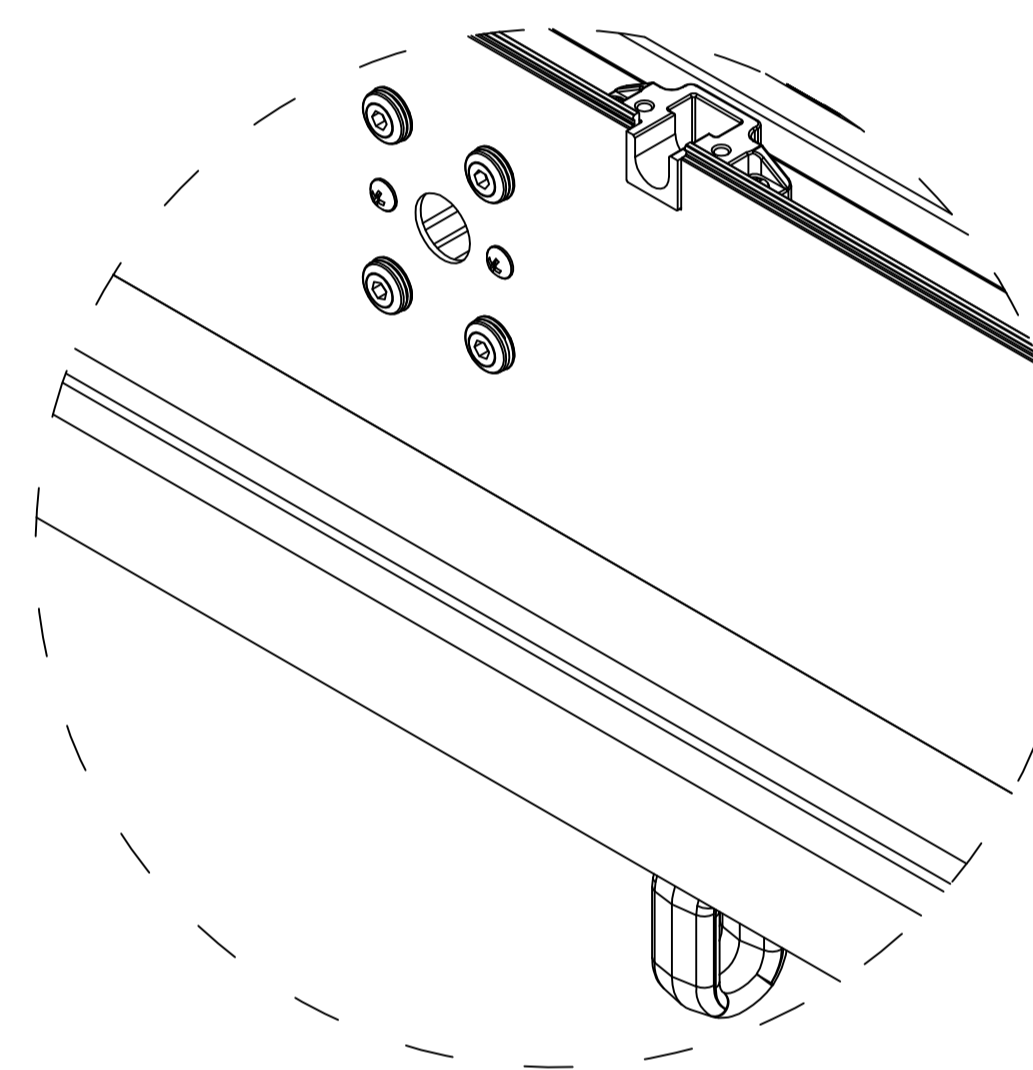
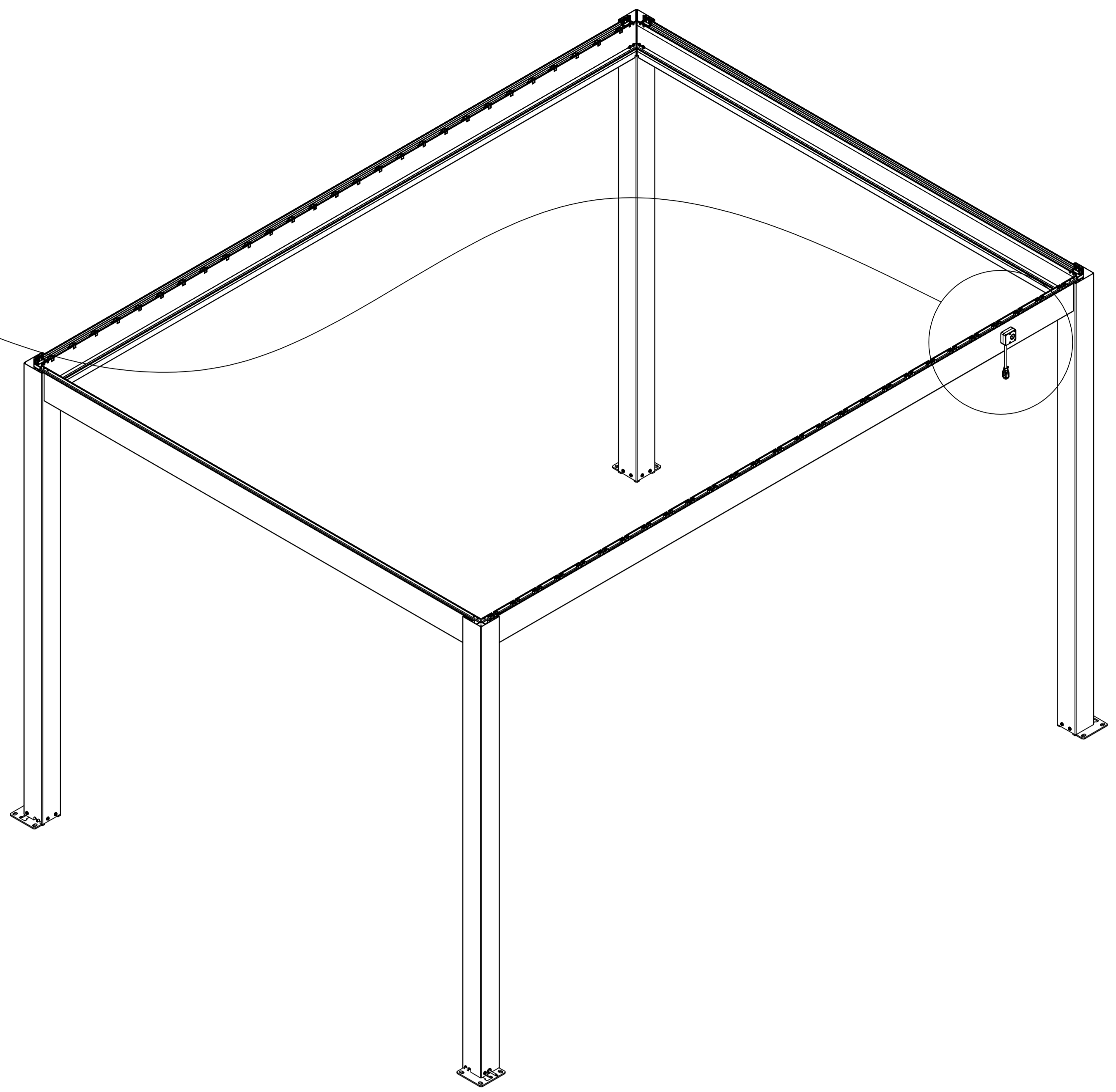
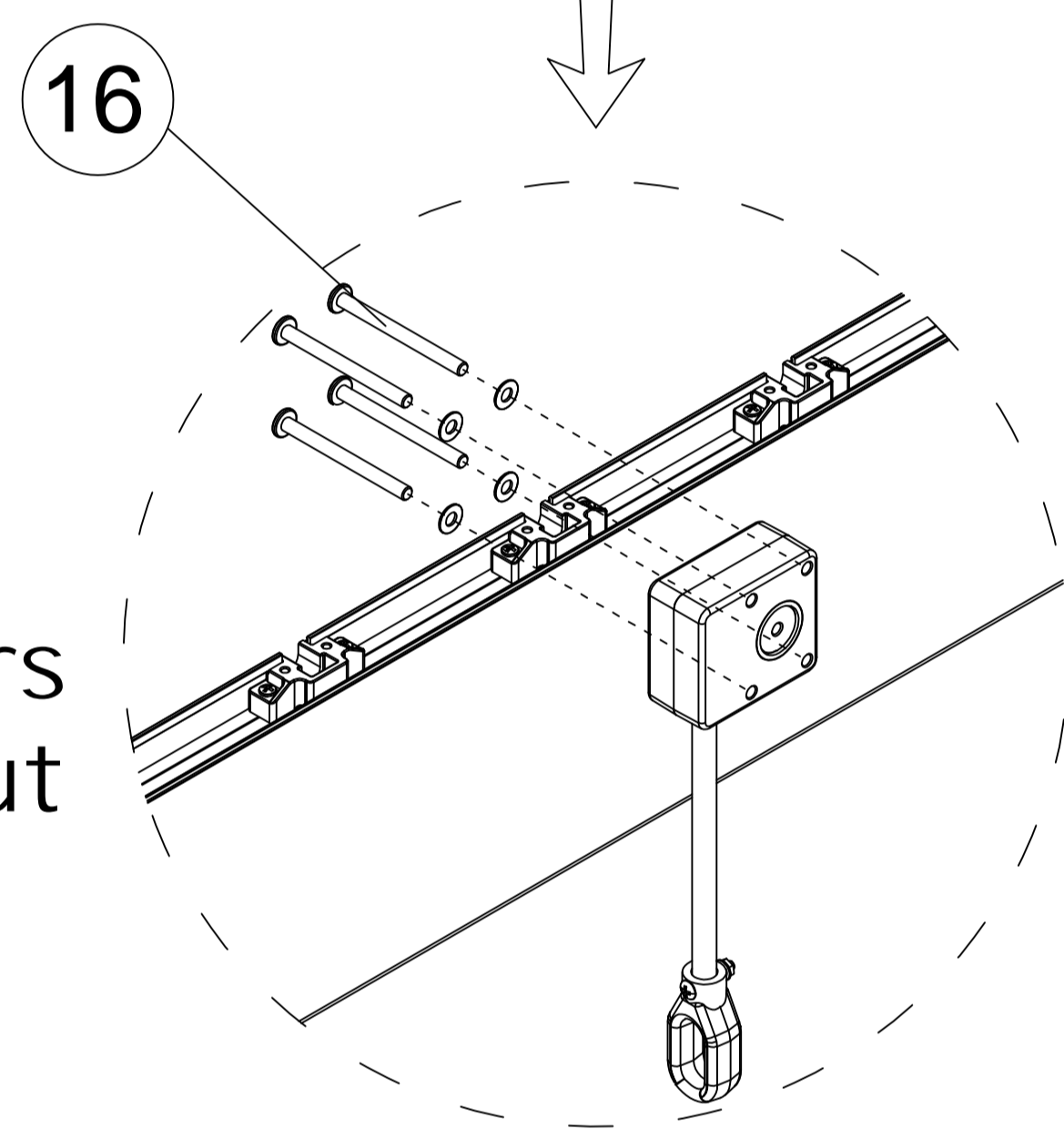
3.7. Post fixing completed

### Step four: Install hand crank device

4.1、  
Align the hand crank device with the outside gutter screw holes and stick it to the gutter beams



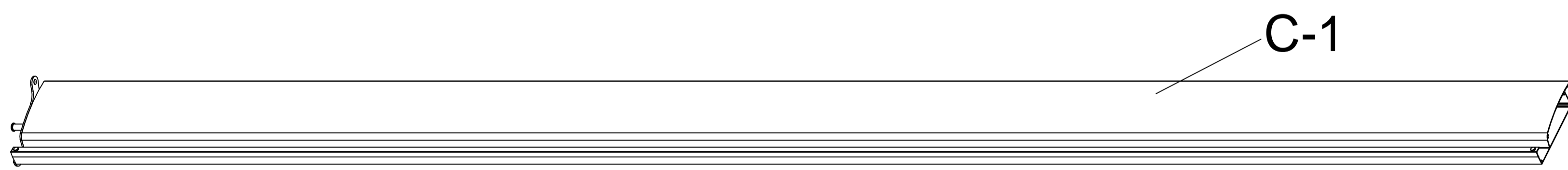
4.2、  
At the opening, insert the screws through the gutters from the inside out and tighten the screws.



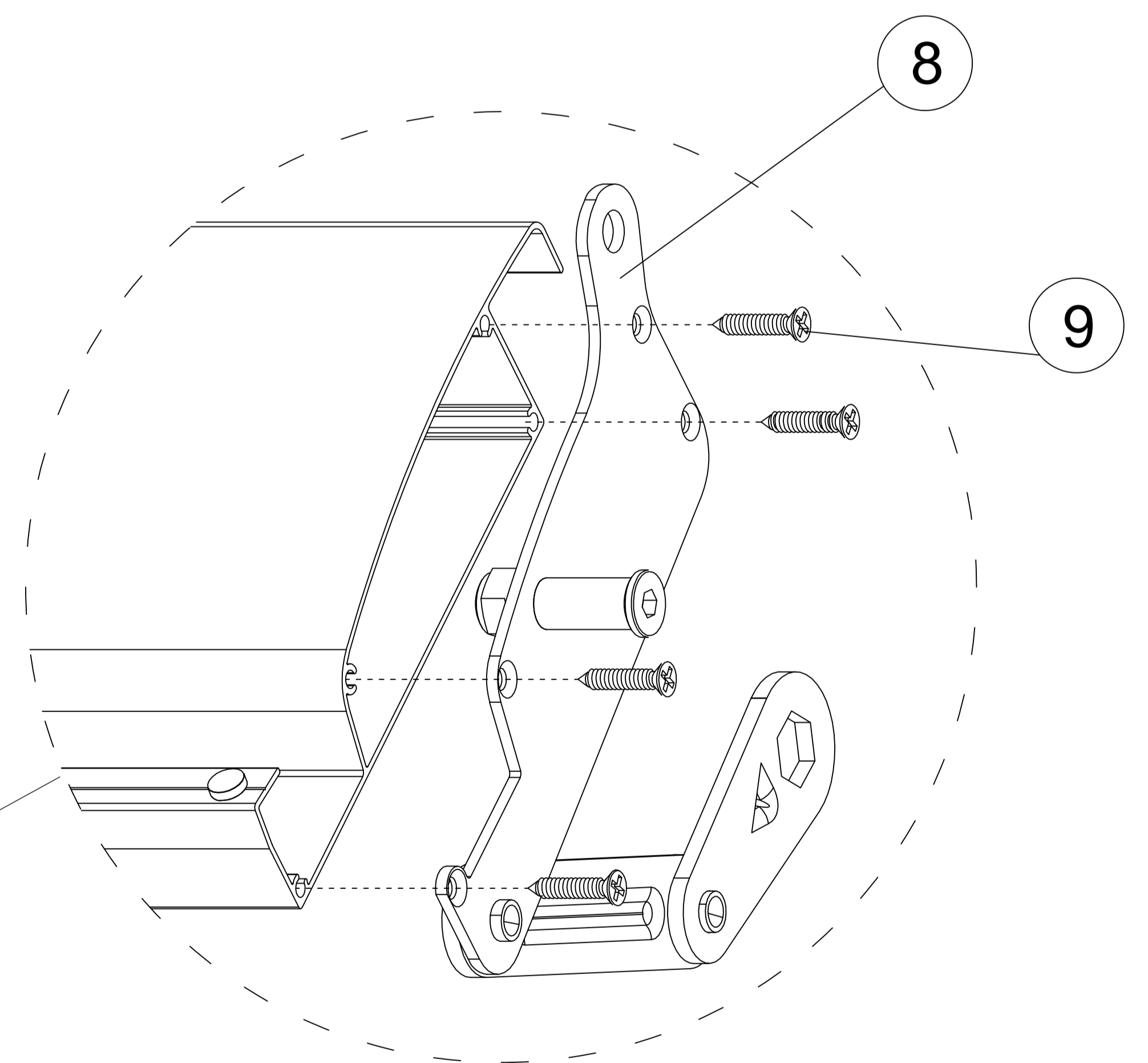
View of the inside of the gutter after it has been fixed

### Step five: Blades Installation

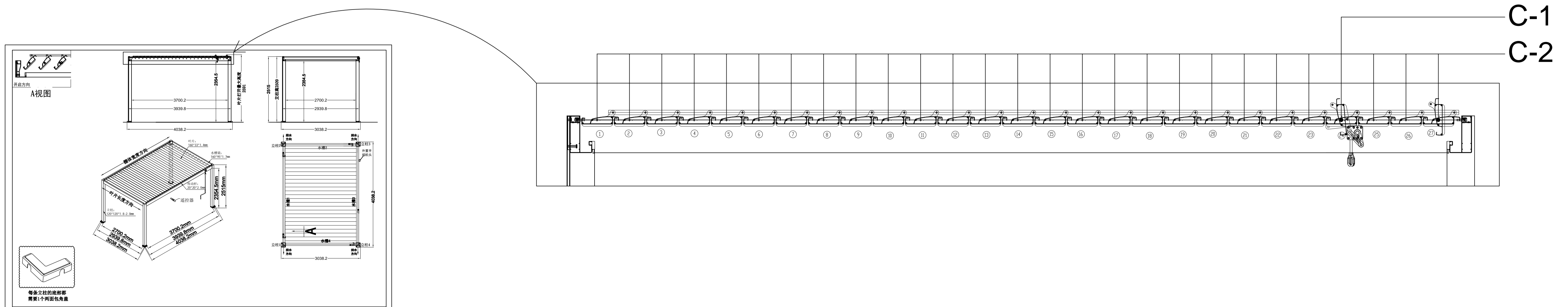
5.1、 Find a louver that does not have a end cap



5.2、 Install the driven louver cap

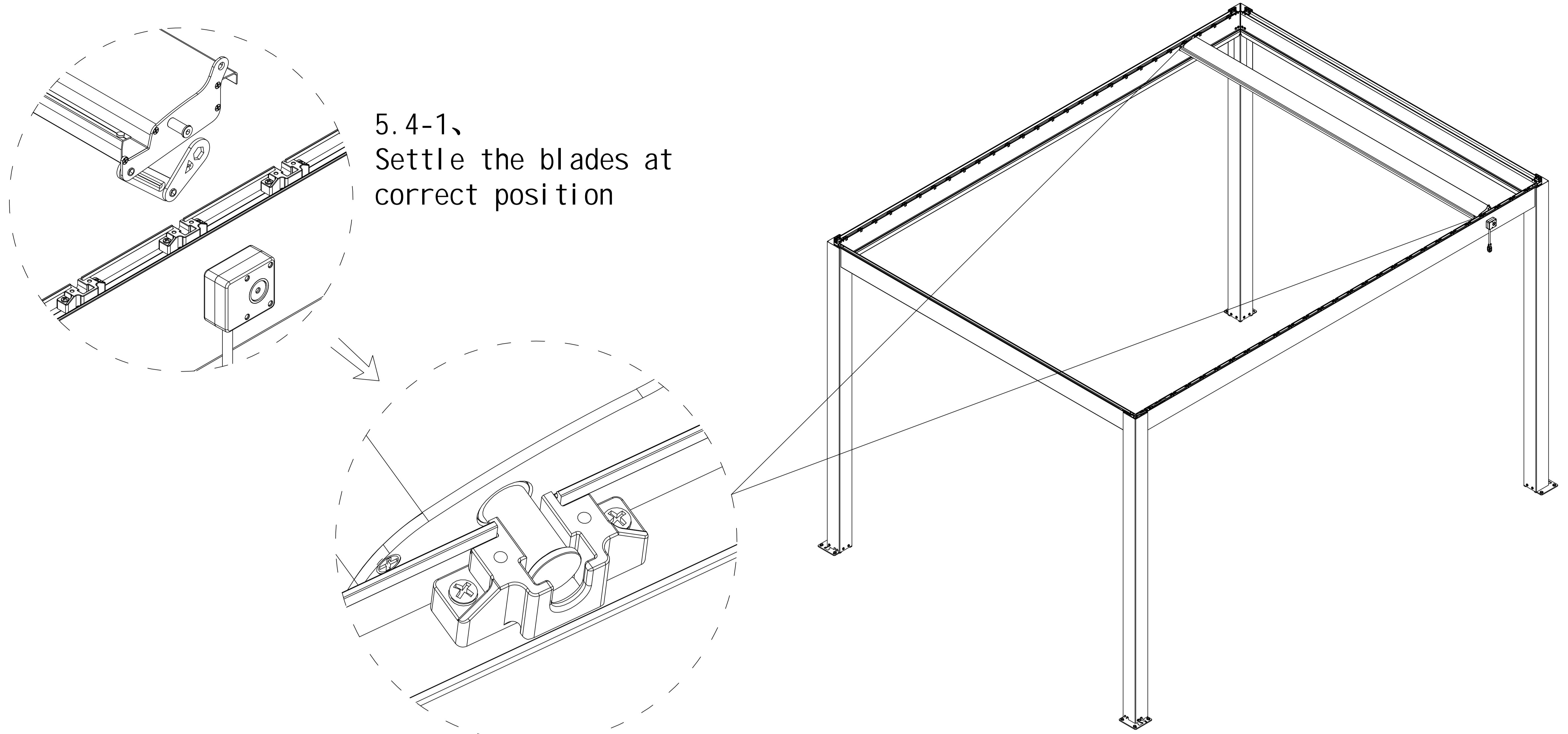


5.3、 Review the installation drawings to confirm the position of the hand crank device and louvers





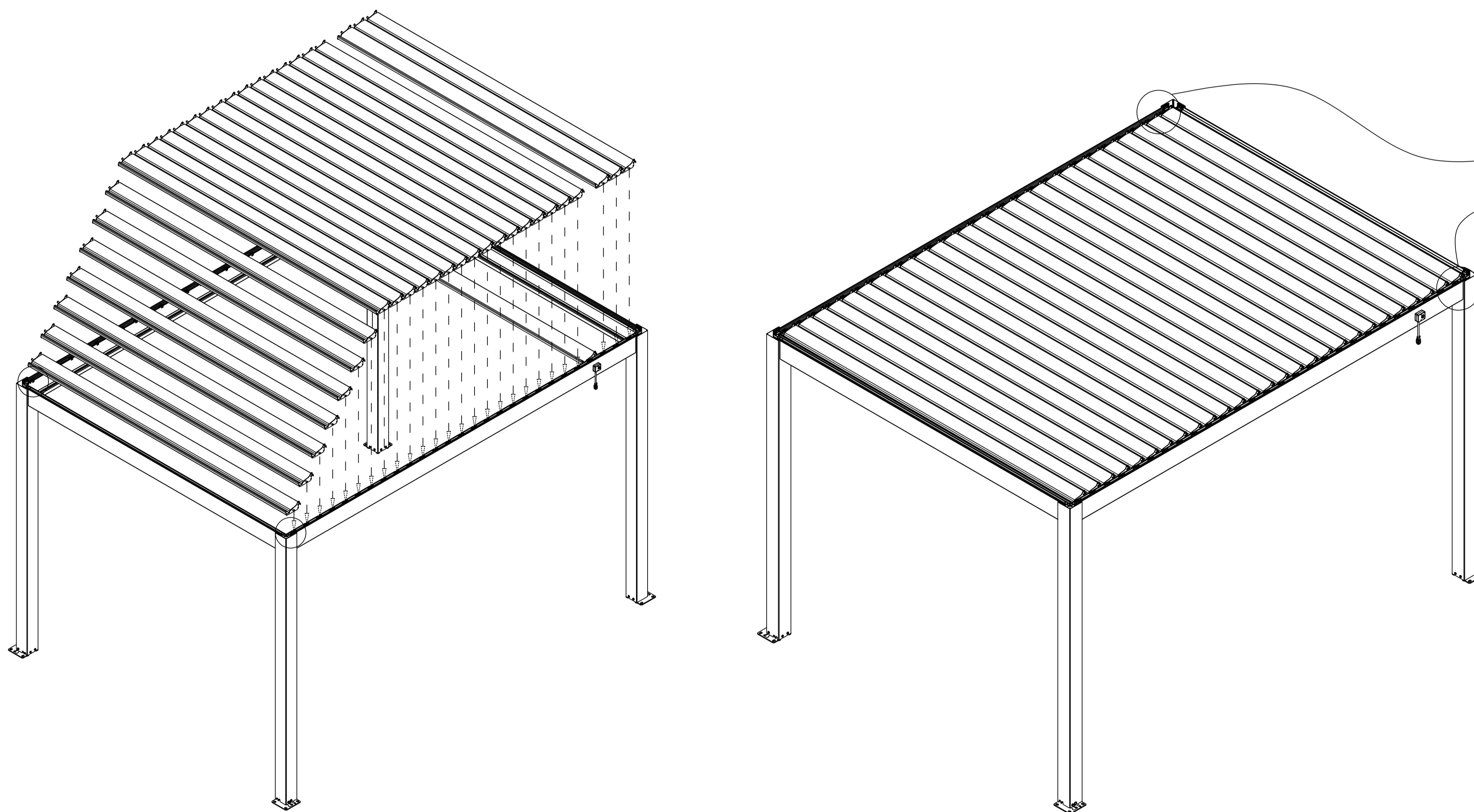
5.4、 After confirming the position and direction of each blade, install the connecting louvers first.



5.4-1、  
Settle the blades at  
correct position

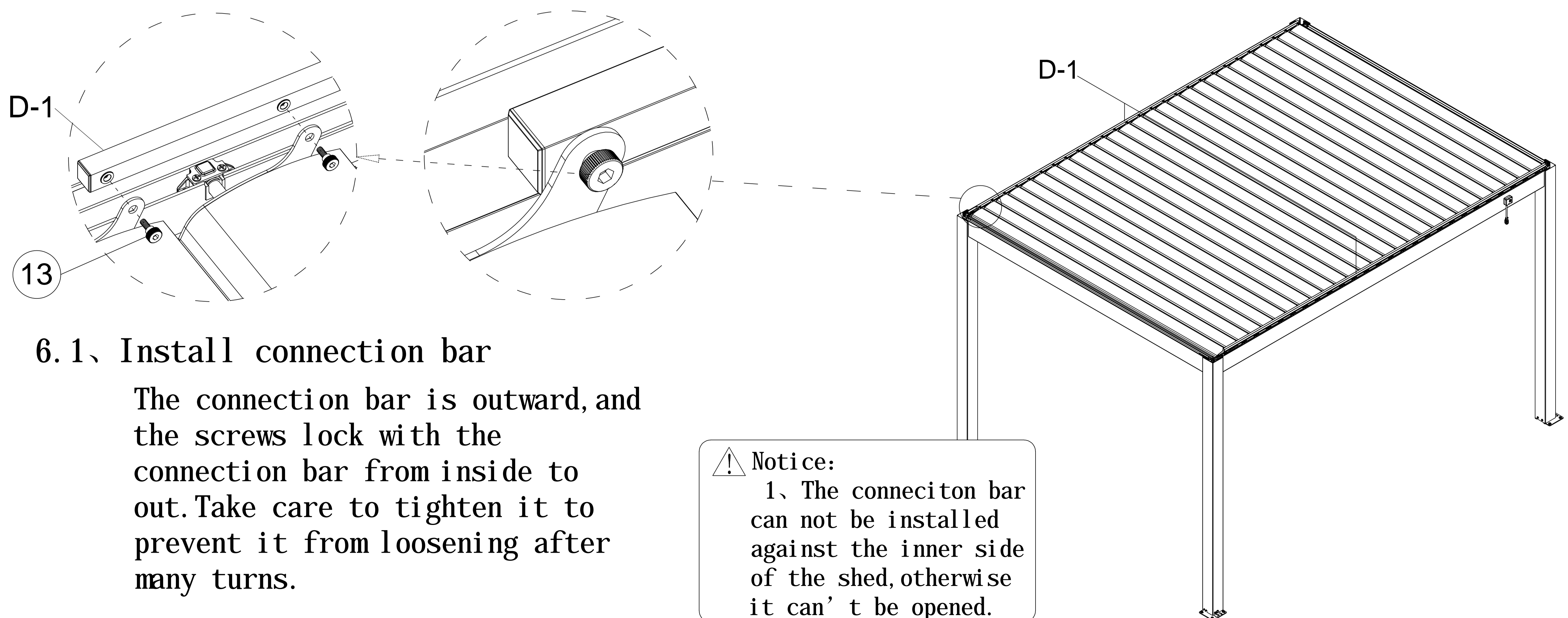
(Settle the louver blade into the pivot  
holder. When all louver blades are  
finished, then you lock them by screws)

5.4-2、 Place the remaining leaves in order, starting from one side and finishing  
with all of them.



5.4-3、  
After blade  
placement, install  
louver blade  
pivot covers

Step six: Install control bar, and power detection light strip.



6.1、 Install connection bar

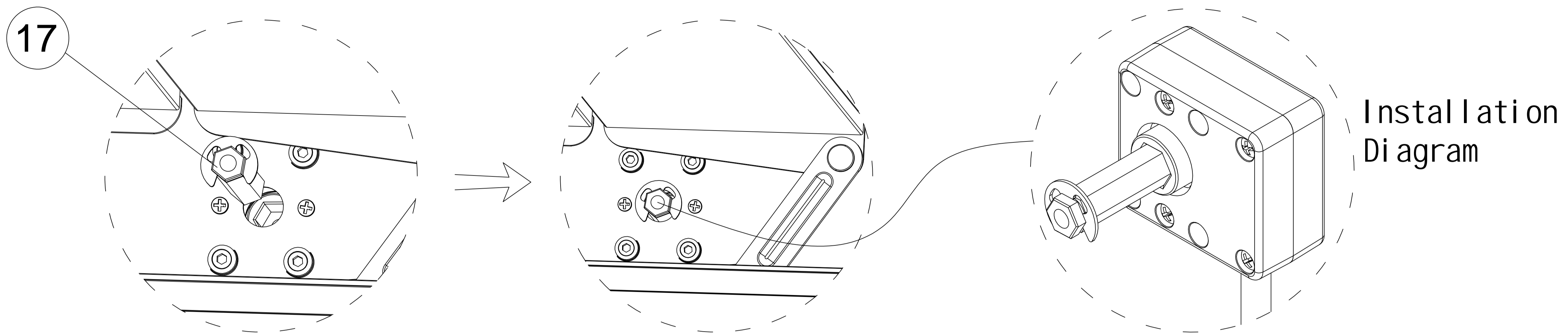
The connection bar is outward, and  
the screws lock with the  
connection bar from inside to  
out. Take care to tighten it to  
prevent it from loosening after  
many turns.

⚠ Notice:  
1、 The connection bar  
can not be installed  
against the inner side  
of the shed, otherwise  
it can't be opened.

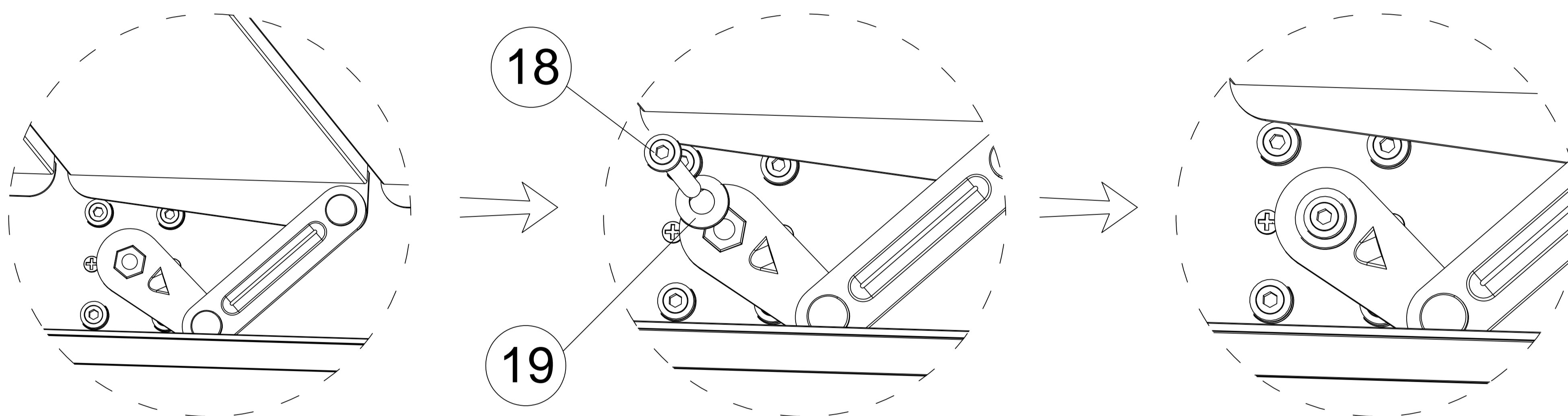


6.2、  
Fixing the hand crank to the accessories

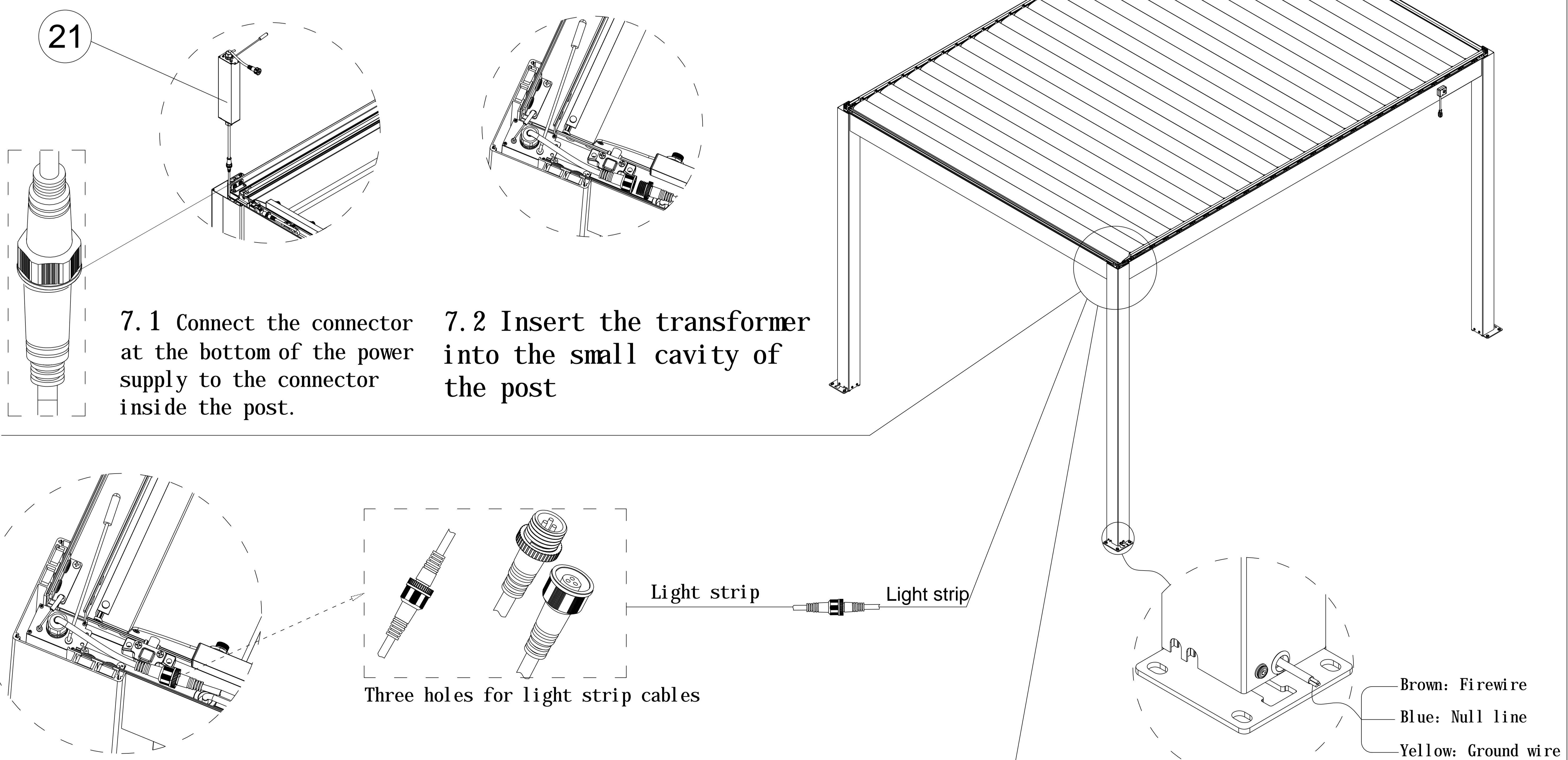
6.2-1、  
Insert the external headstock shaft from the inside of the gutter from the inside to the outside, adjust it and insert it into the hexagonal hole of the hand crank



6.2-2、  
Align the holes and secure with screws



Step seven: Install transformer



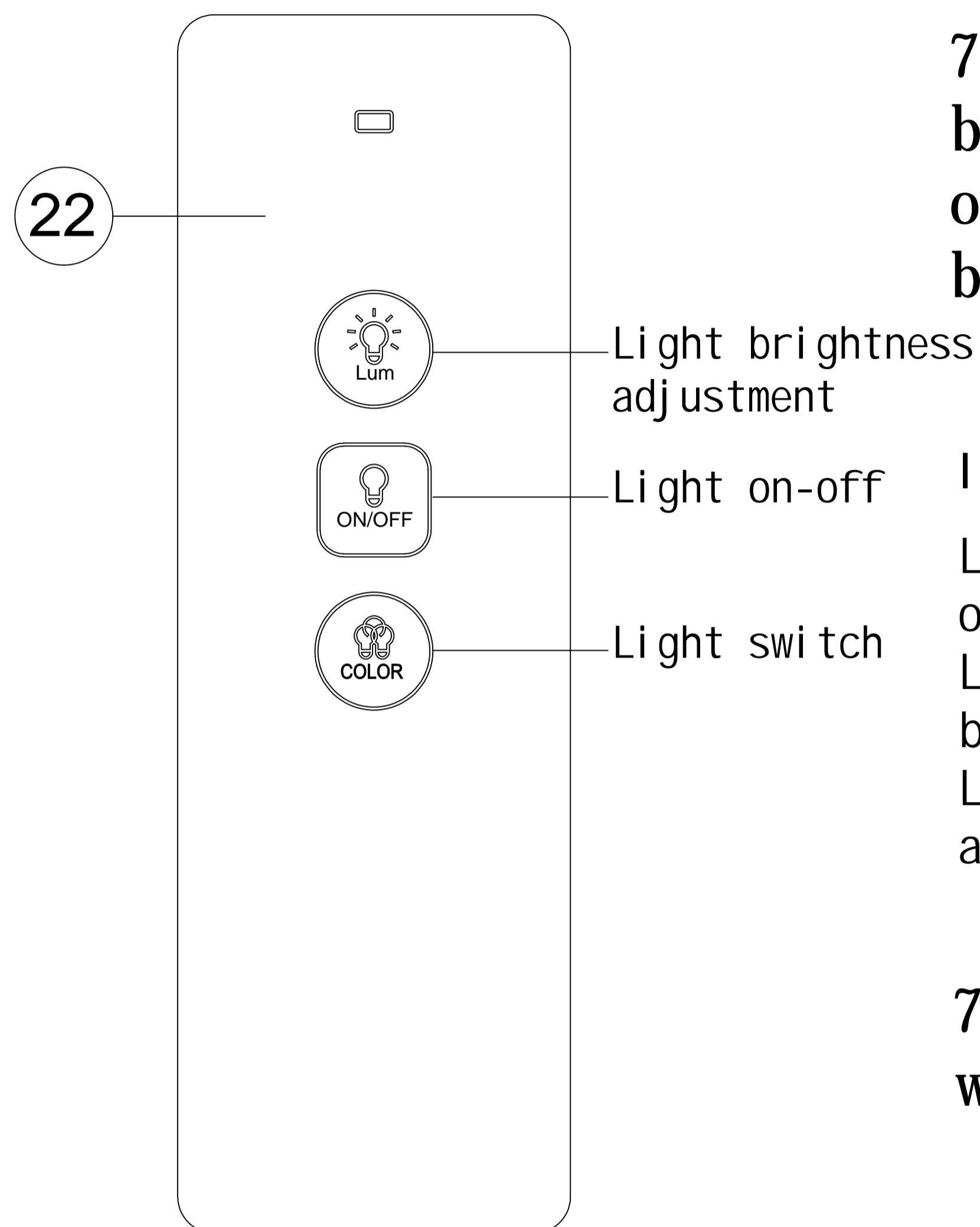
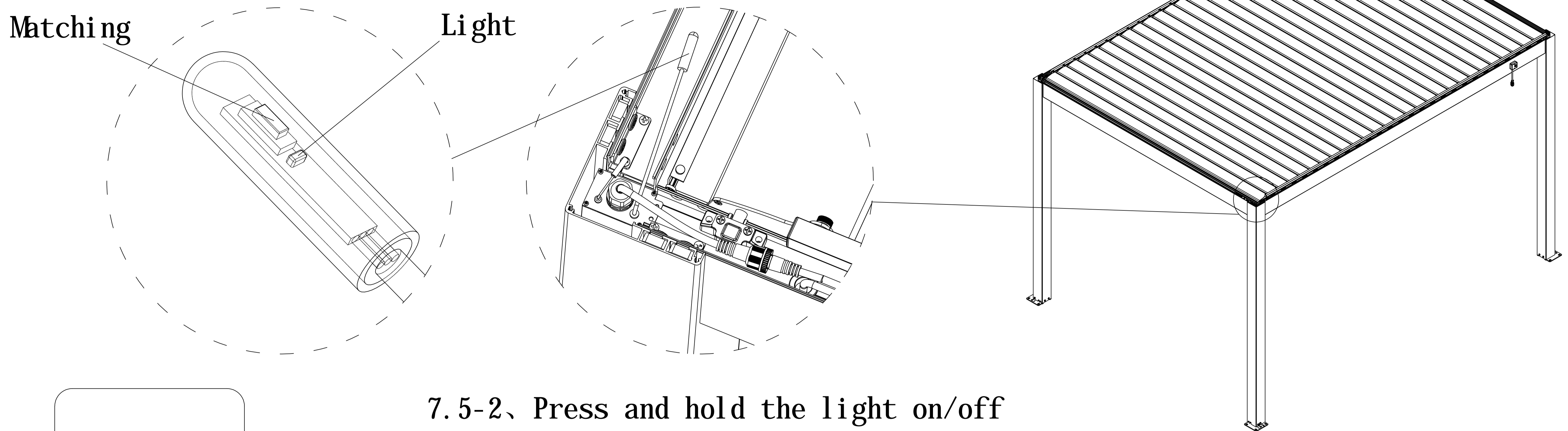
7.3、 The light strip wire from the transformer is mated to the integral wire on the gutter

7.4、 The bottom of the post out of the power cable, the customer to provide their own plug connected

Note; if your pergola exclude LED light then skip the transformer installation (Step seven )

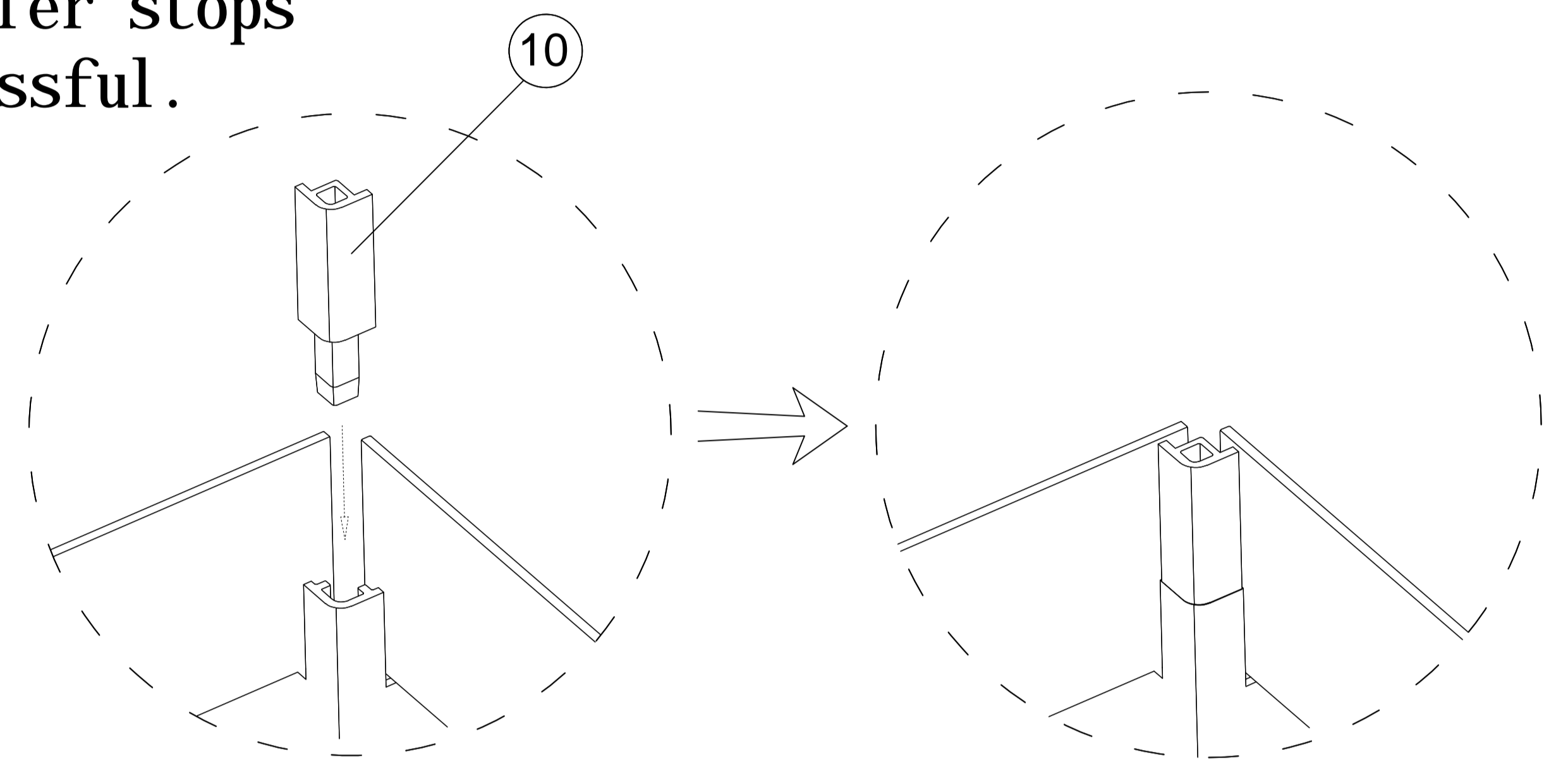
### 7.5、 Learn to match remote control system

7.5-1、 Press and hold this button until the light starts to flash



7.5-2、 Press and hold the light on/off button on the remote control and let go only when the light on the controller stops blinking for the match to be successful.

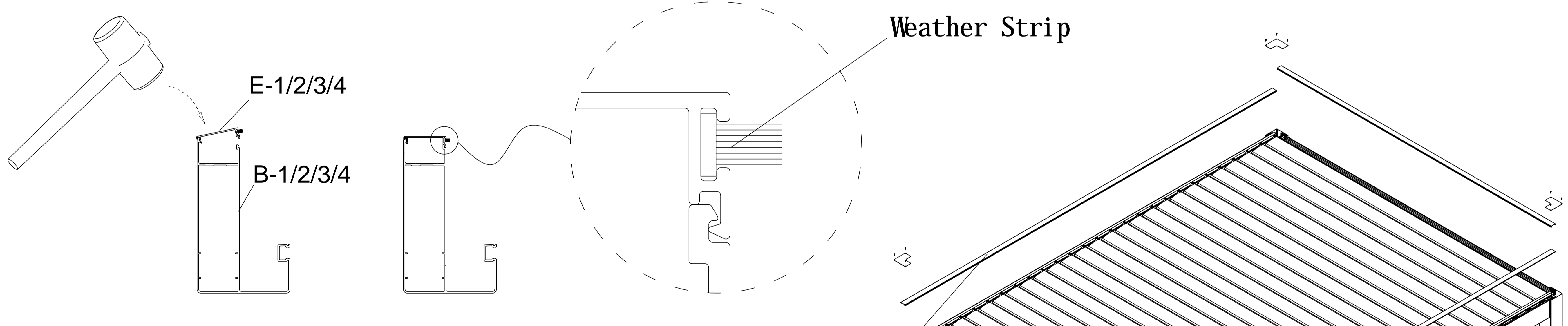
Instructions for the button  
Light on-off: short press to turn on or off the light  
Light switch: short press to switch between white light and warm yellow light  
Light Brightness Adjustment: Long press to adjust the light brightness.



7.5-3、 Check each function with the remote control

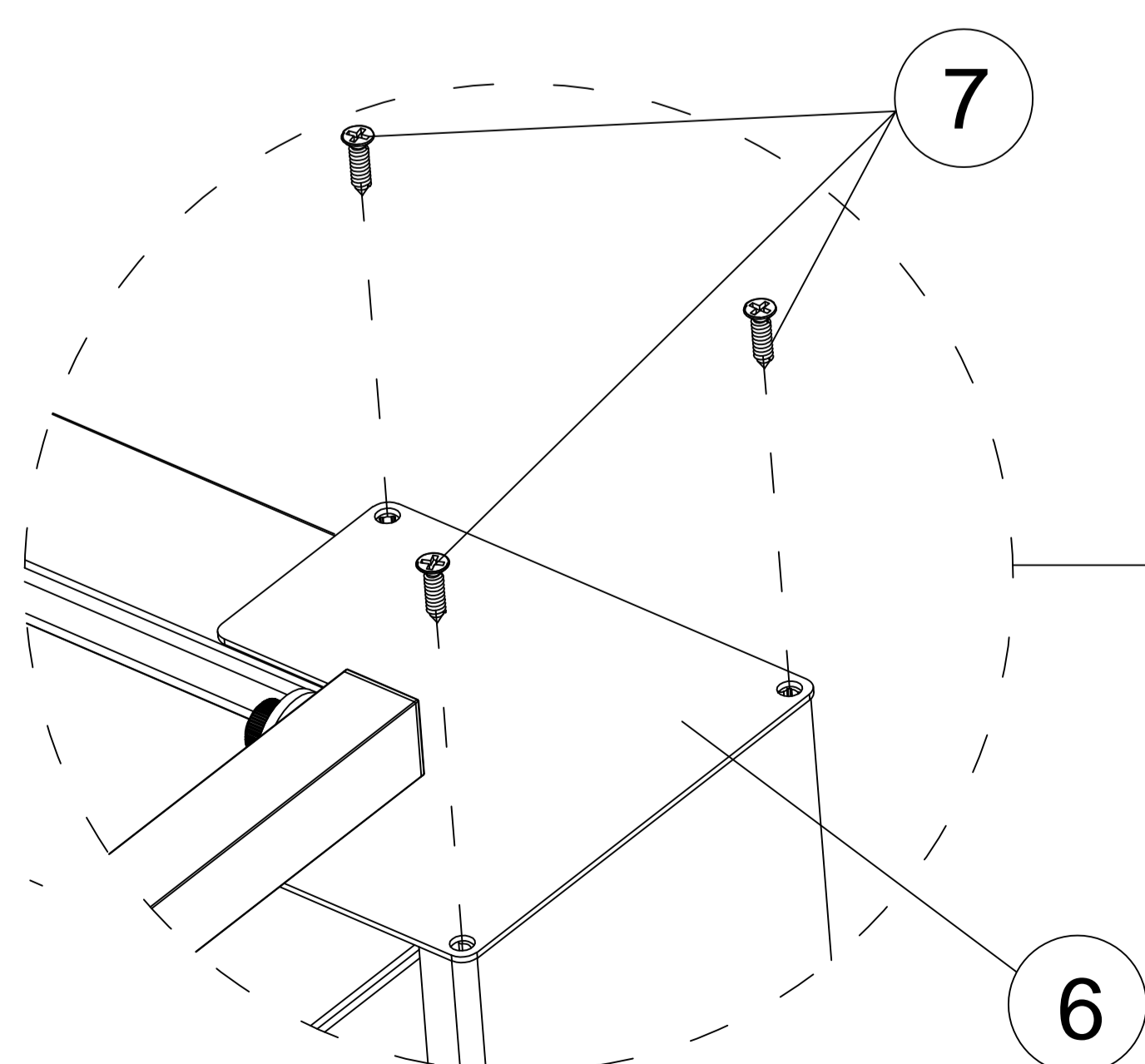
7.5-4、 Installation of connectors on posts

### Step eight: Installation of beam flashing and base plate covers



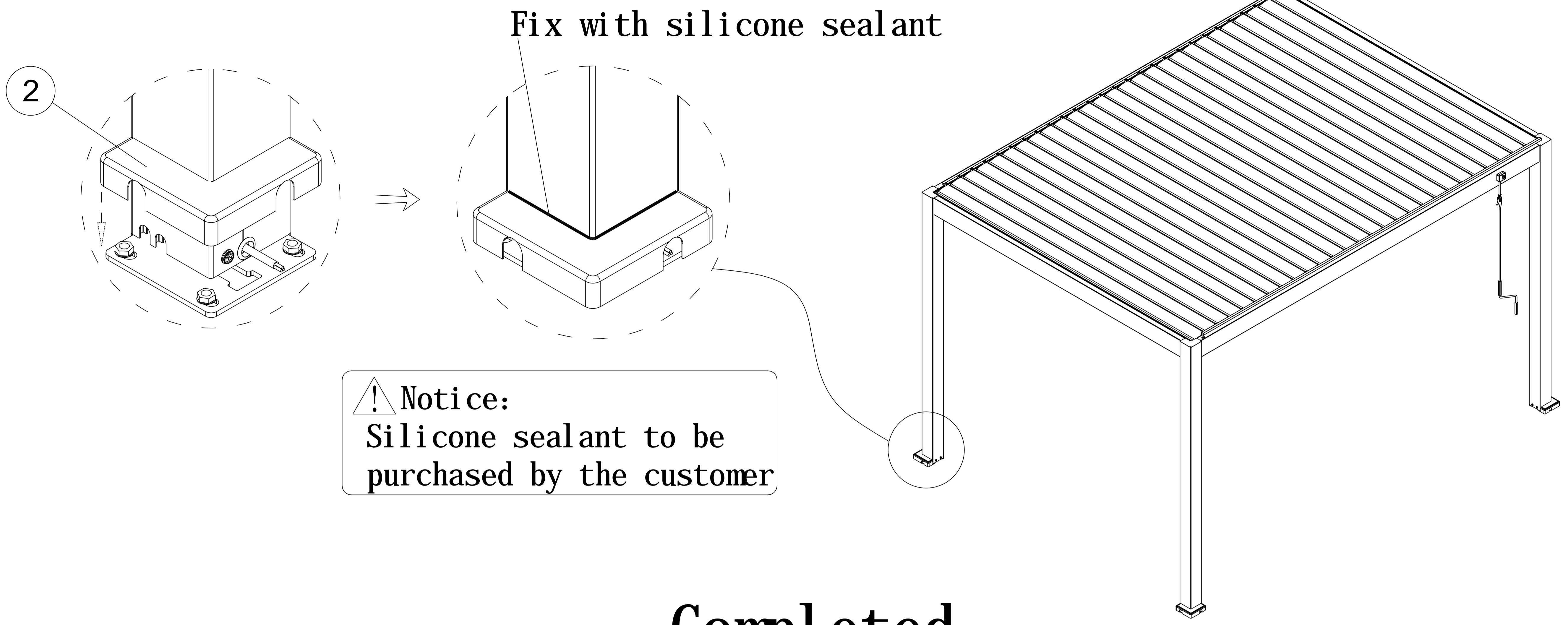
8.1 Use rubber hammer to knock the beam&gutter flashing into groove, note wide hook is at inner side

(It is easy to knock the flashing when the louvers are opened)



8.2 Install the L-shaped post plate cap at four corners

Step nine: Install base plate cover





## **Step ten、 Check the product functions**

- 10.1、 Ensure the pergola has been connected to the leakage protection switch.
- 10.2、 Check the power supply of the supply.
- 10.3、 Check the function of the remote
- 10.4、 Check the LED light
- 10.5、 Check other equipments.

# HOW TO USE TUYA APP

## 一、 Open TUYA app

-1> Prepare a public wifi for the pergola

-2> Open the phone bluetooth and TUYA app

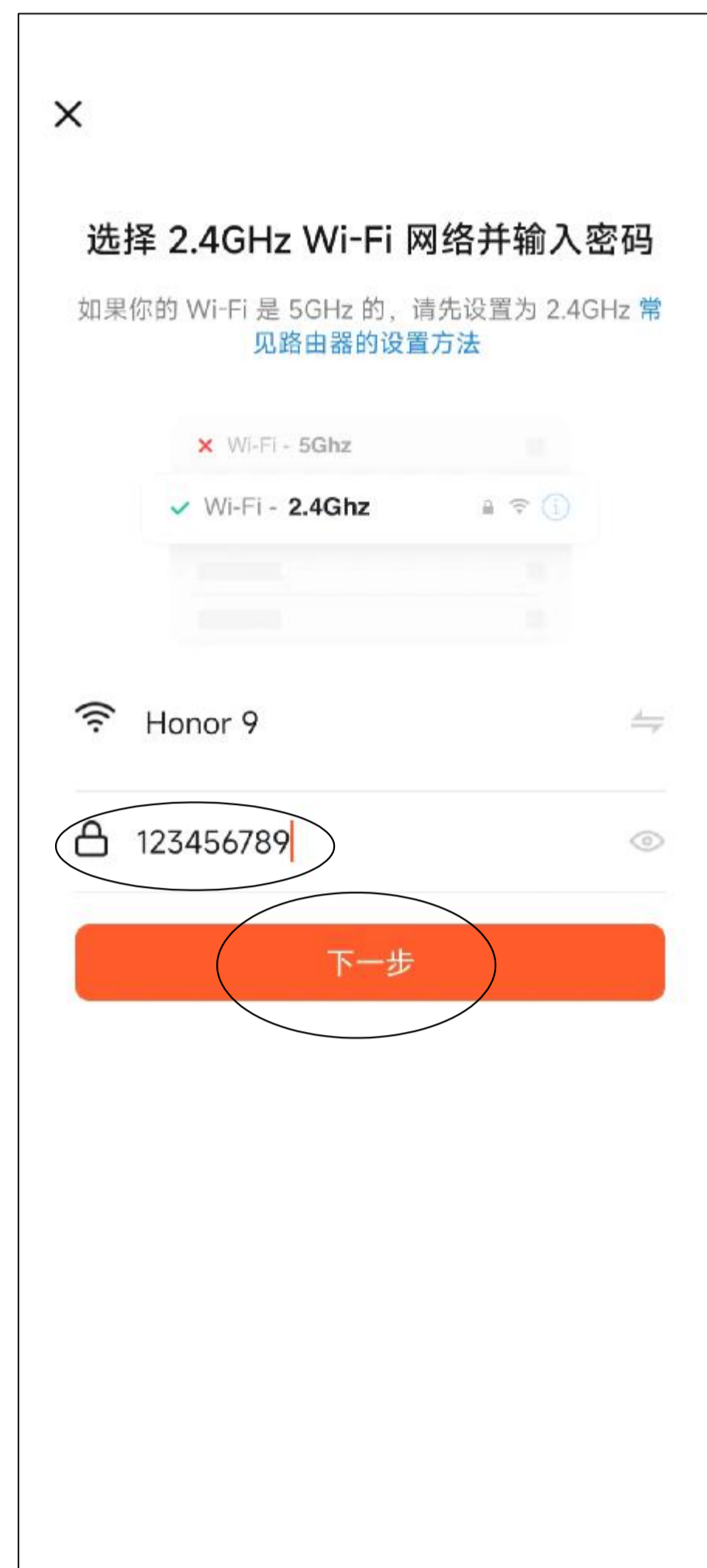
⚠ Note: It needs 2.4GHz wifi



1. Open the APP and click "Add Device".



2. Find "Doors and Windows (WiFi)" in the category.



3. Enter the WiFi password.



4. Start connecting



5. press and hold the button until the blue indicate light flash

6. Click "Confirm".



7. Select "quick Flash"



8. Waiting for connection



9. Success



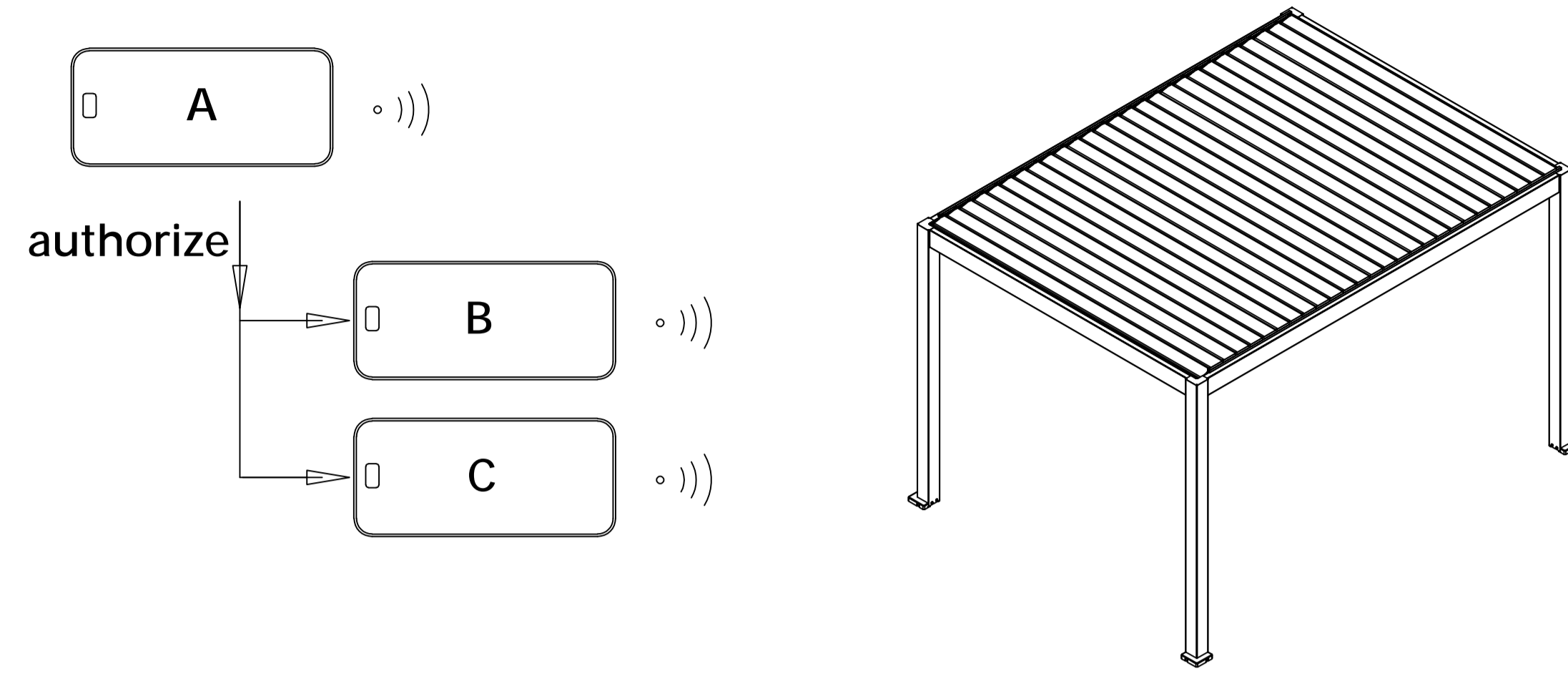
10. Select "pergola" Operation panel



# How to authorize account to your family members

## TUYA APP

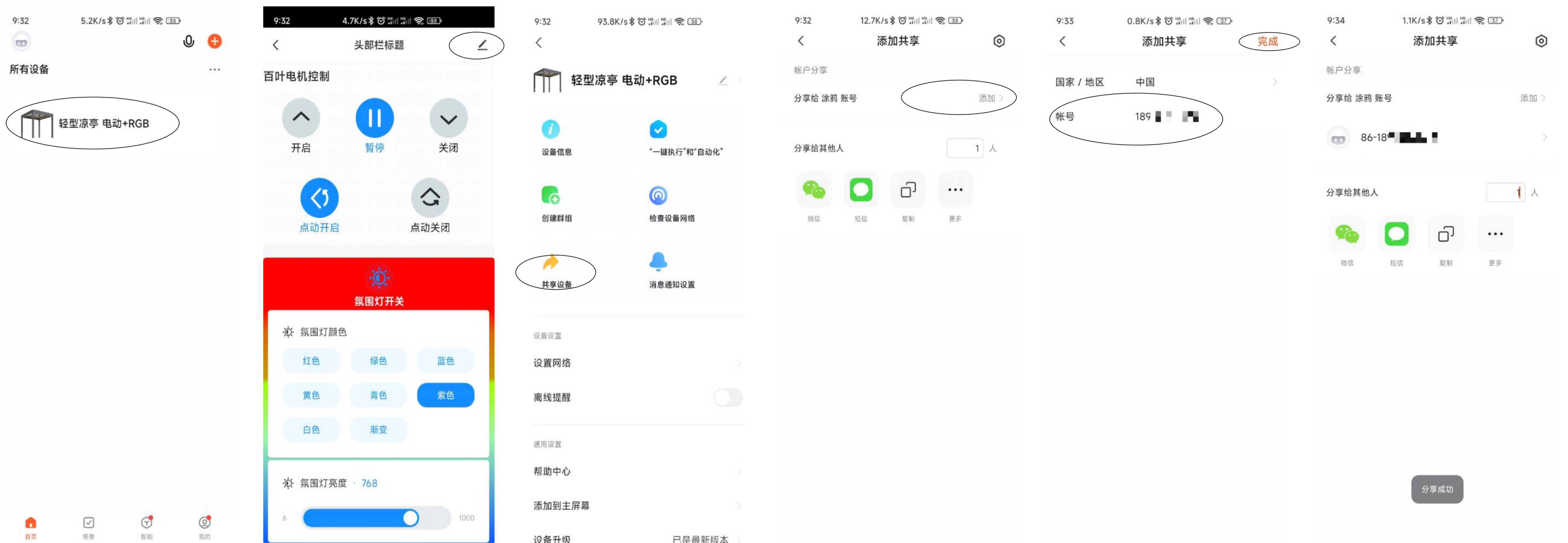
When you connect to tuya app successfully ,you can share the account to your family members



### Tips:

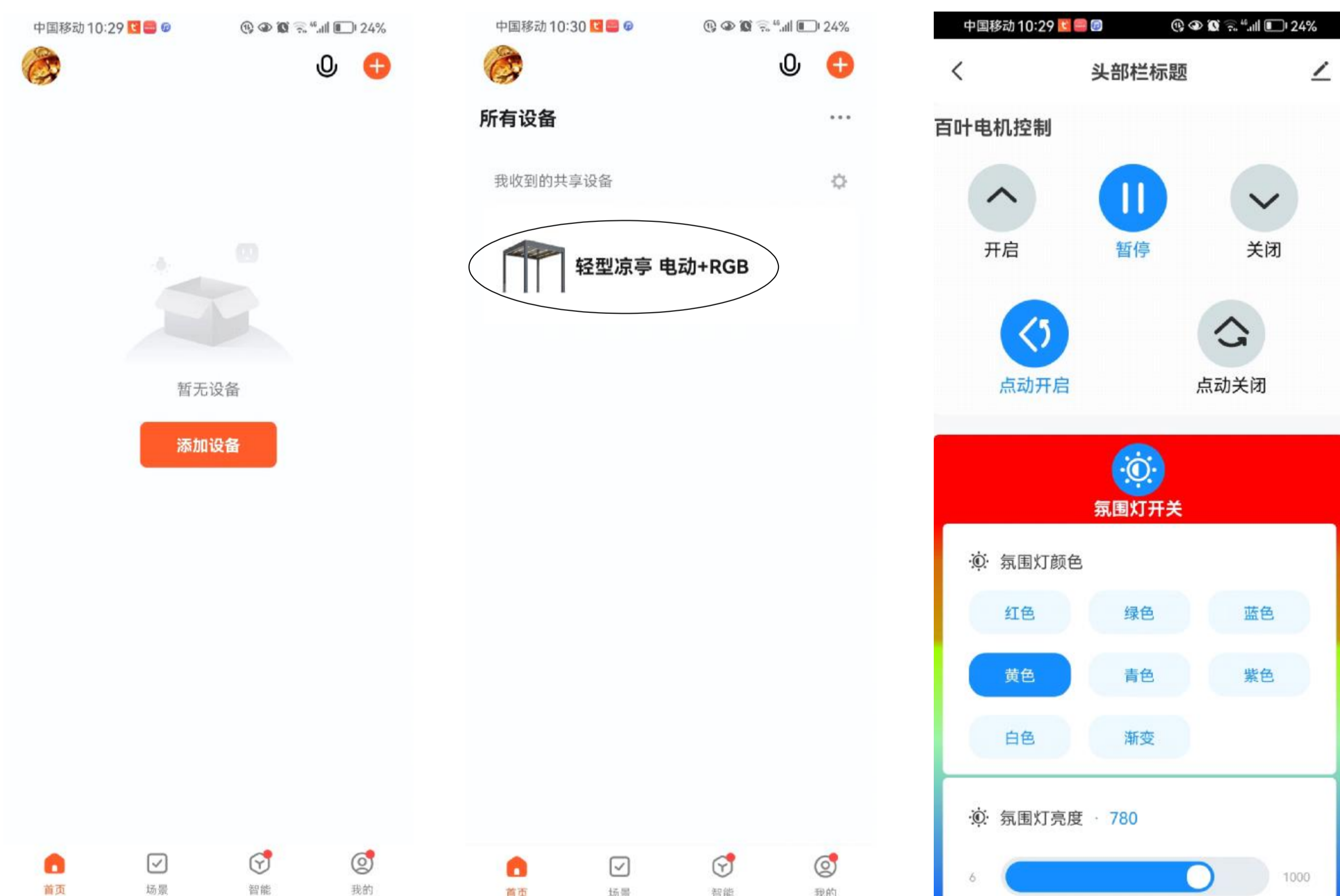
- 1.The owner's phone (A) connect to pergola , he can operate the pergola by his phone A.
- 2.The the other family members also download TUYA app and singn in.The account for logging into the app should be linked to a mobile phone number or accessed using a mobile phone number.

## 1.Create a family group in the phone (A)



- 1.1、click"pergola" 1.2 click "setting" 1.3、click"sharing the device " 1.4、click "add" 1.5、input the account you want to share 1.6、success

## 2. The other family members accept the invite on their Phones



- 2.1、shortscreen of invitee 2.2、click the invited pergola 2.3、completed shortscreen



# Trouble Shooting

problem	solutions
The motor and lights do not work.	<ol style="list-style-type: none"><li>1. Check if the cables is correct</li><li>2. Check if the voltage for pergola is available</li><li>3. Check if the remote learn to match the control system</li><li>4. Check if the remote is working or not</li><li>5. Check if the control system has power output or not</li></ol>
Blade cannot be opened	<ol style="list-style-type: none"><li>1. Check if the motor works</li><li>2. Check if the connection bar is installed correctly</li><li>3. Check if the motor connecting blades and the motor are connected properly.</li></ol>
Leakage at the ceiling fan position	<ol style="list-style-type: none"><li>1. Check if the connection do silicone sealant dealing</li></ol>
The remote does not work	<ol style="list-style-type: none"><li>1. Press the learn button within 5 seconds when the motor input power</li><li>2. Check if the remote battery is available</li></ol>
can not link to APP	<ol style="list-style-type: none"><li>1. Ensure you read the manual of tuya app link.</li><li>2. You should remove the previous phone record then you can connect again.</li></ol>

# Maintenance and Repair

## Caring for your pergola

The surface of the product must be cleaned once a year to maintain its original appearance.

The thermosetting powder coating on the product's surface is sensitive to the following:

1. Physical abrasion, hard impacts, extrusion, and chemicals, including alkaline and acidic solvents.
2. Natural elements such as wind, rain, snow, and prolonged exposure to sunlight.

## Clean your pergola

1. Do not use a scouring pad, cream cleaner, abrasive sponge, iron wire ball, or colored cloths.
2. Recommended: Soft sponges, soft lint-free cloths, cotton wool, cotton, or non-woven fabrics (white only)
3. Avoid using corrosive products like acidic or alkaline cleaners. It is recommended to wash with water of a lower Ph value and then wipe with a cloth to maintain cleanliness.
4. When using high-pressure equipment to clean the structure, take the same precautions: distance, nozzle type, water temperature, and pressure should all be taken into consideration.

## Reminder for use

After installation, please check if the screws are tightened and remember to check the screws at least once a year.

1. Regularly check the sealing components to ensure there is no leakage from the seals or other parts.
2. Regularly clean up debris such as fallen leaves on the pergola to prevent blockage of the drainage pipes.
3. Usage limitations: Although the waterproof system is effective, it cannot guarantee complete waterproofness. Heavy rain and strong winds may damage the pergola, and the damage will not be covered by the warranty.

# A letter of thanks

Dear customer:

I would like to take the opportunity to thank you for your patronage and purchasing our products. I assure you have purchased the perfect louvre pergola for you. Our team hopes you love our louvre pergola and share happy time with your family members and friends.

We are customer-centric company. You are always welcomed to give us feedback, suggestion and request. Your feedback and comments are very important for us because they help us improve our service. We will be delighted to know what you think about our products. Please feel free to leave reviews on website or call us directly.

Thanks again and we are pleasure to serve you, if there is anything is not clear to you, please contact us.

Gratefully