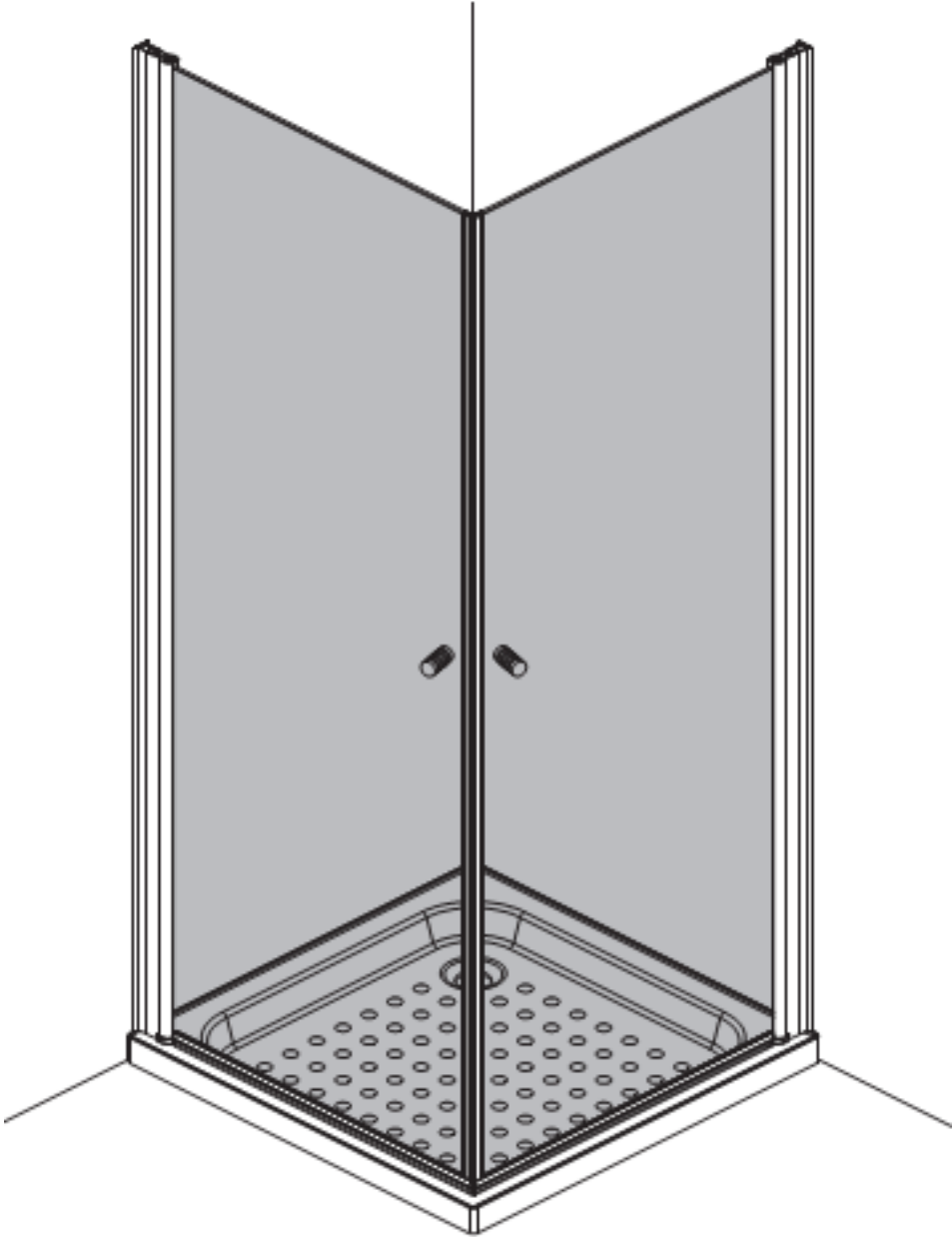
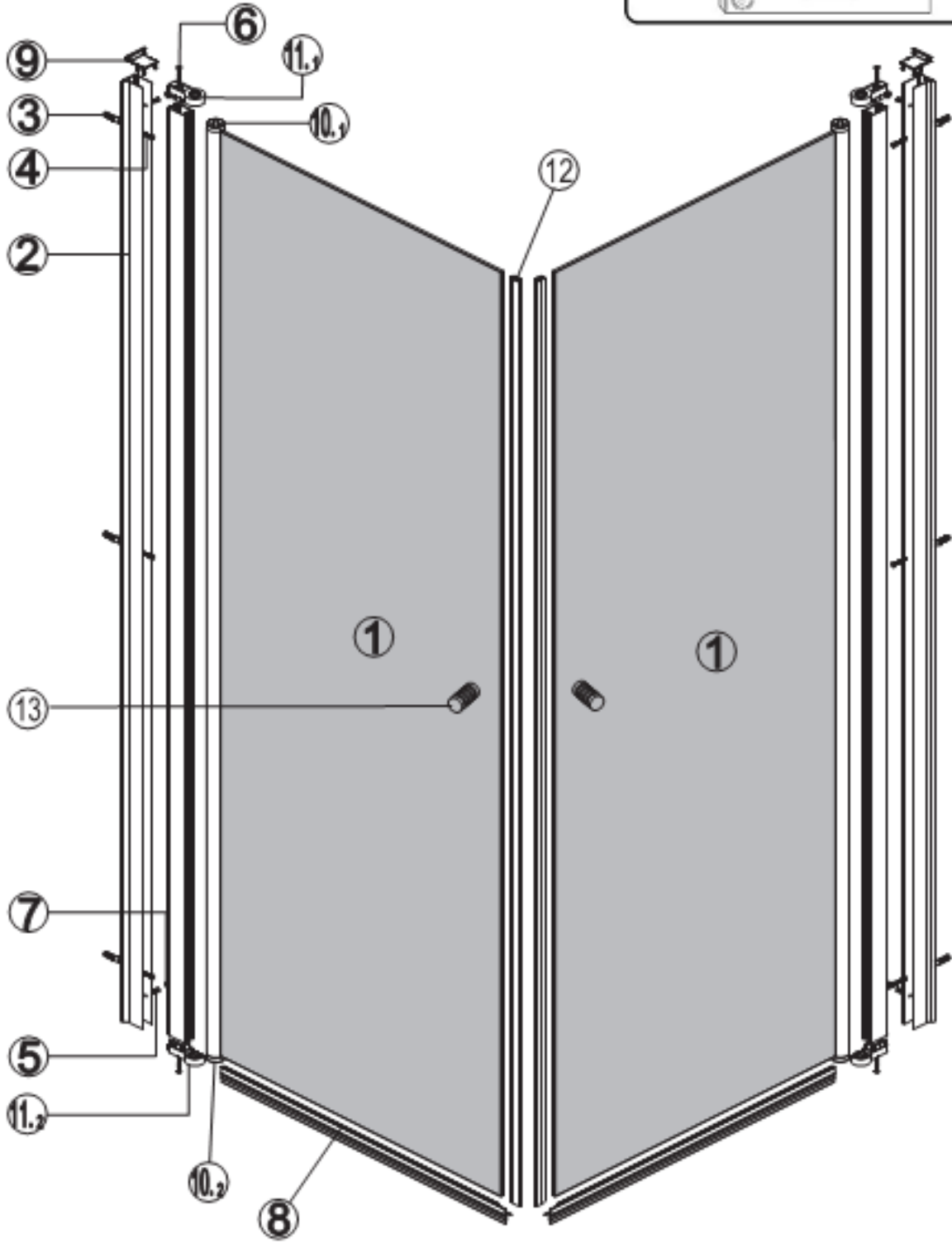
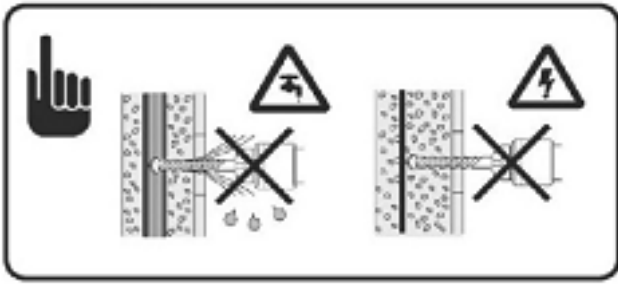

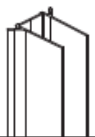






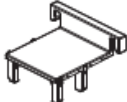





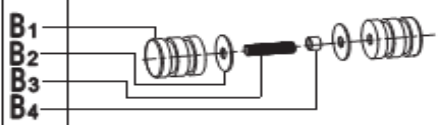



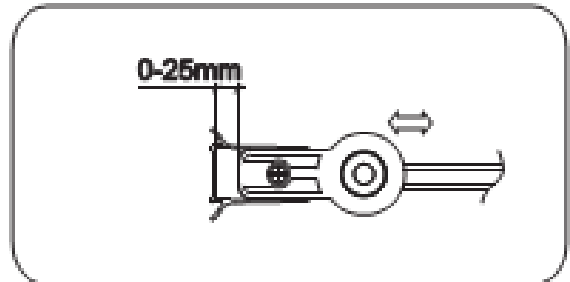
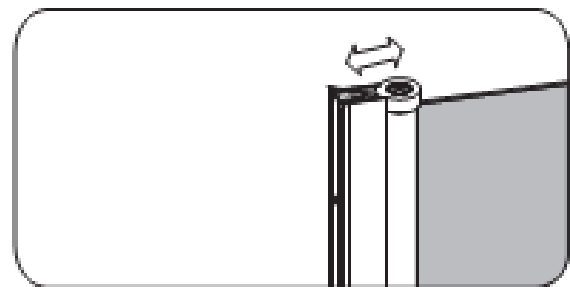
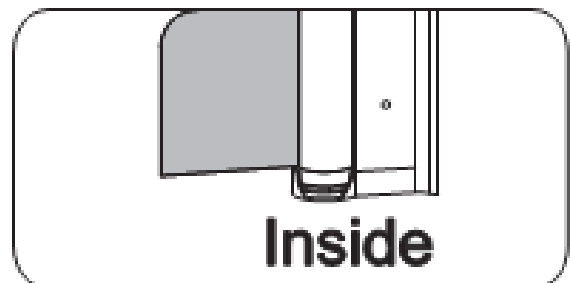
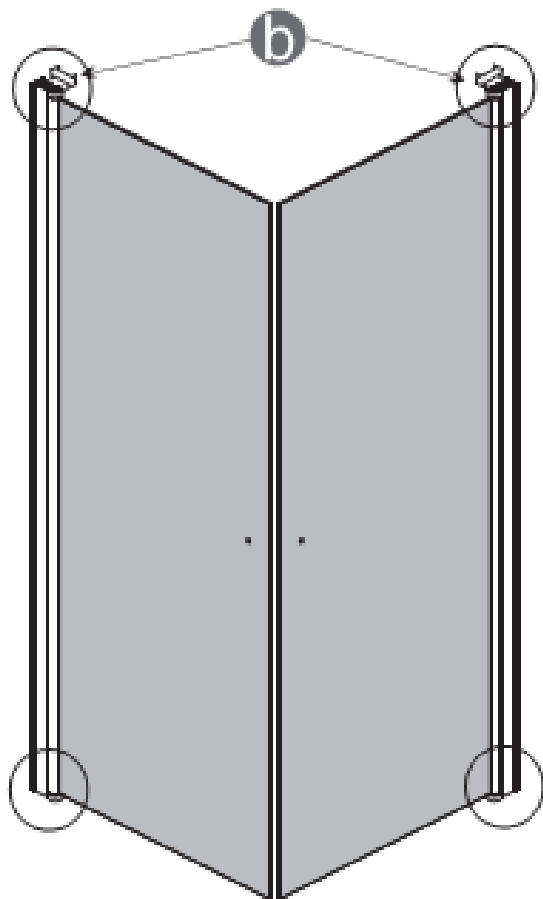
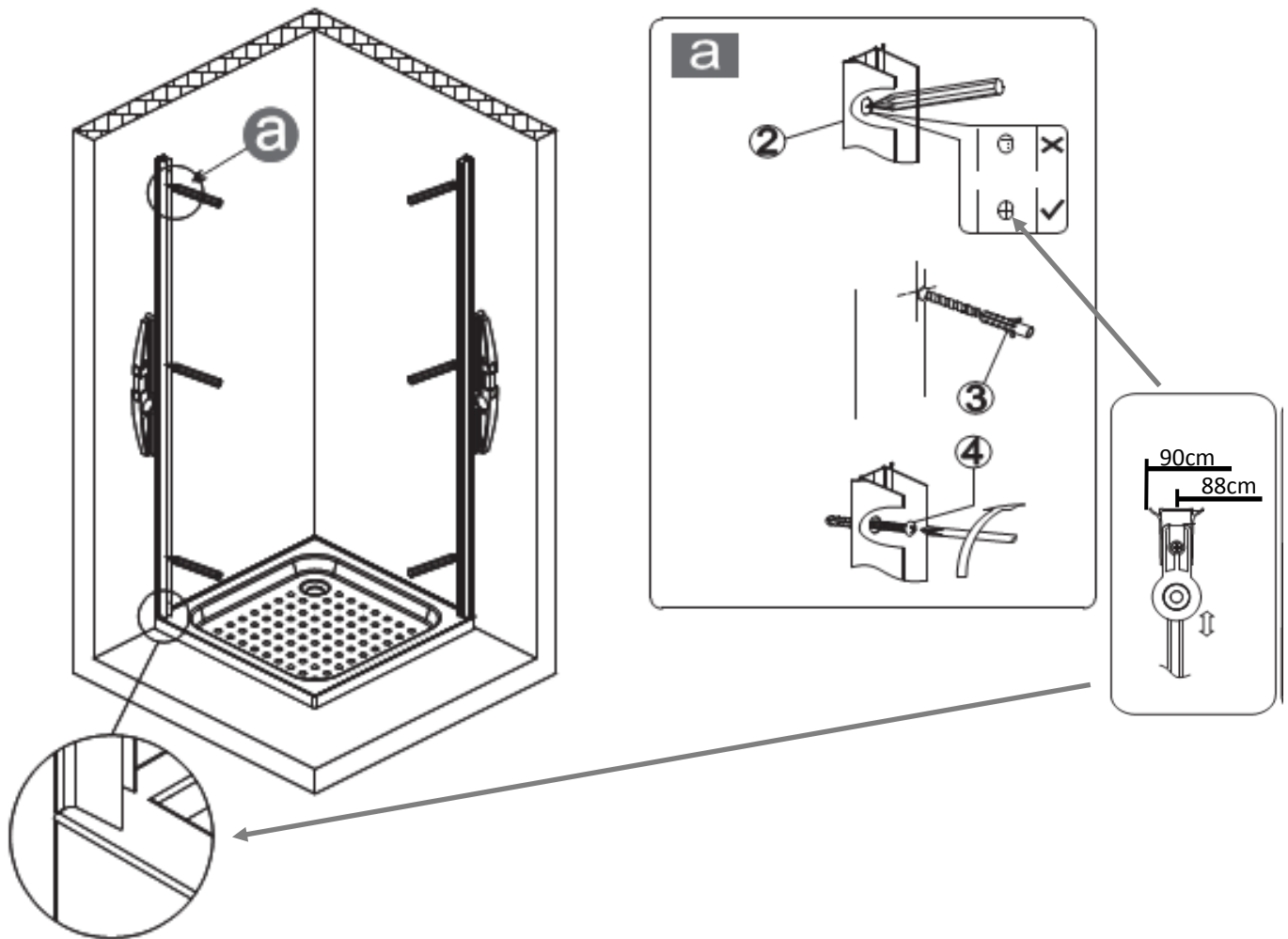
Assembly manual for shower enclosure



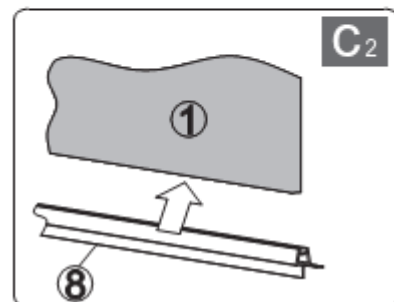
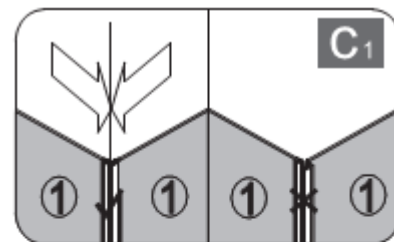
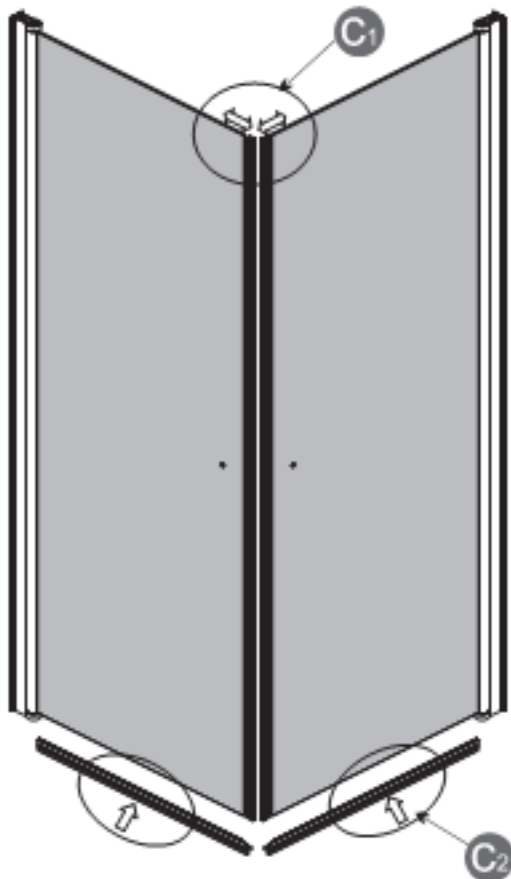
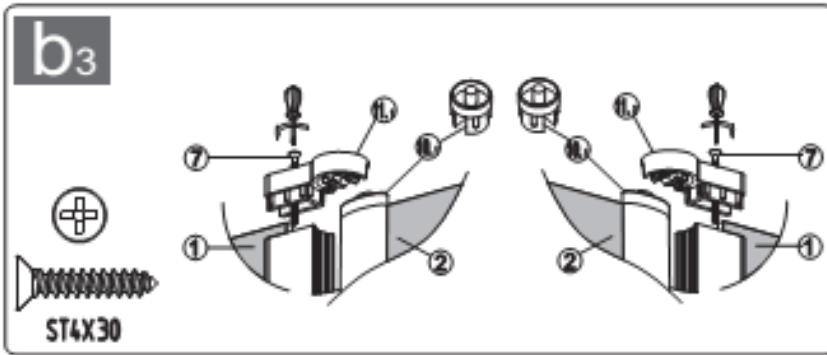
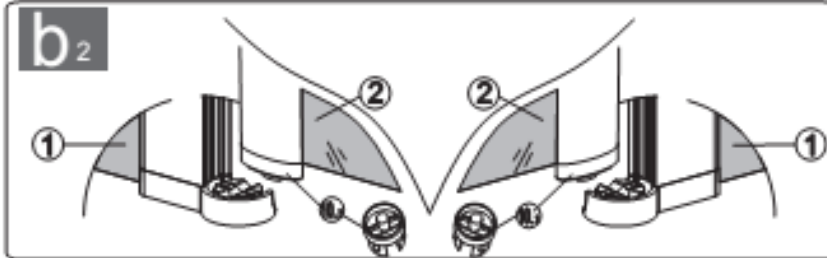
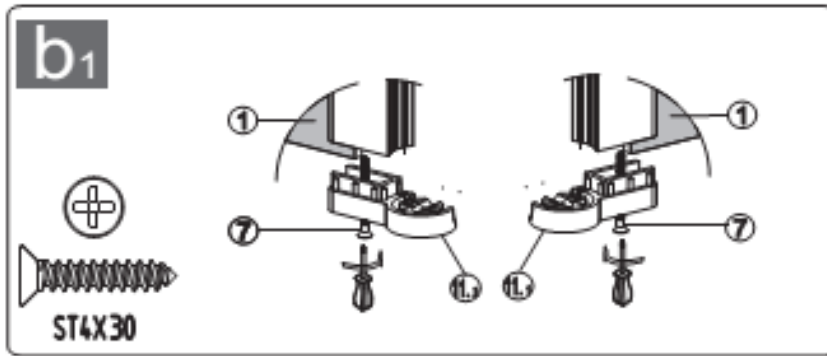


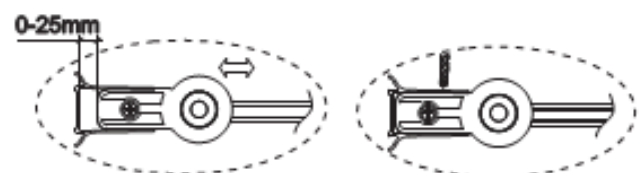
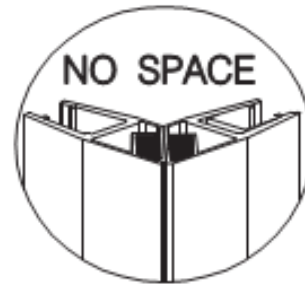
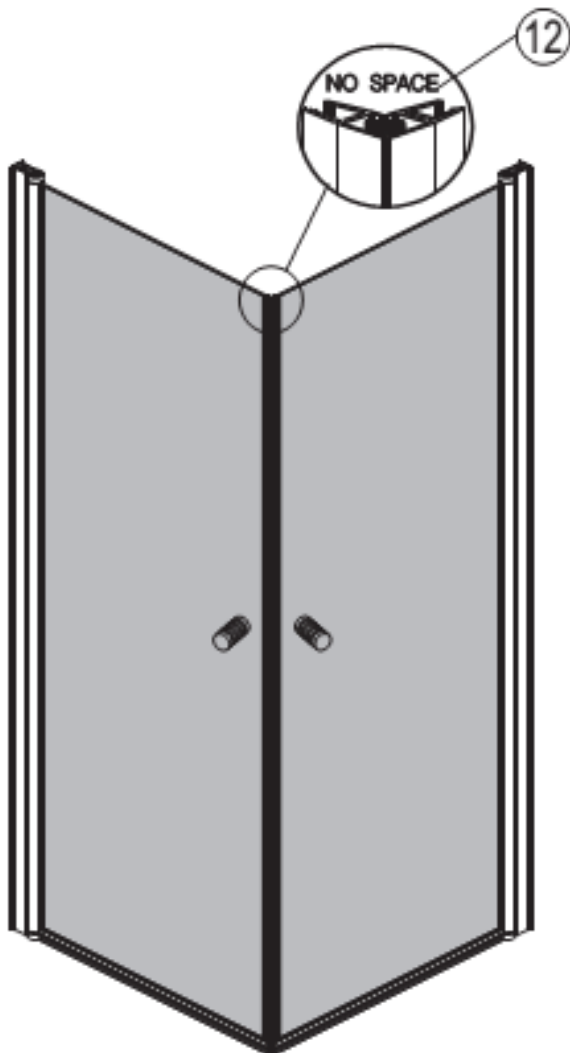
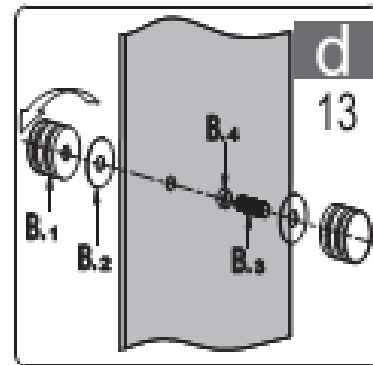
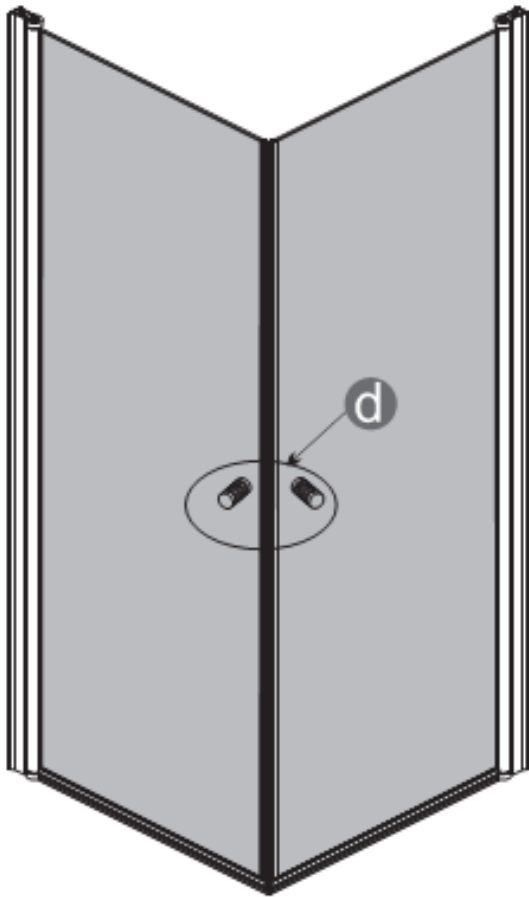
NO.	Designation	Pieces
1		X 2
2		X 2
3	 $\phi 8$	X 6+1
4	 ST4X35	X 6+1
5	 ST4X10	X 4+1
6	 ST4X30	X 4+1
7		X 4+1
8		X 2
9		X 2

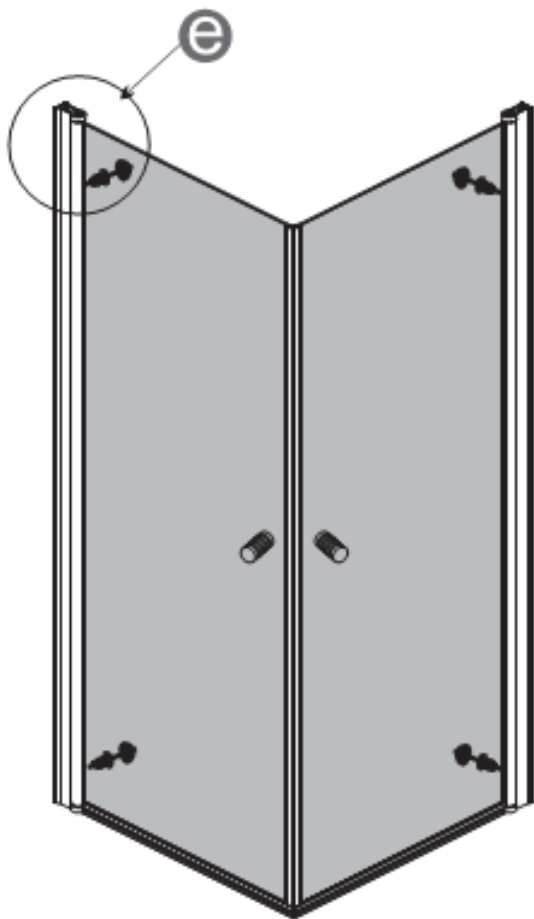
NO.	Designation	Pieces
10 ₁		X 2
10 ₂		X 2
11 ₁		X 2
11 ₂		X 2
12		X 2
13		X 4 X 4 X 2 X 2
	D	
	 $\phi 8$ $\phi 3.2$	
Part list is set for a pair of doors.		



For adjustment / repair only







0-25mm

