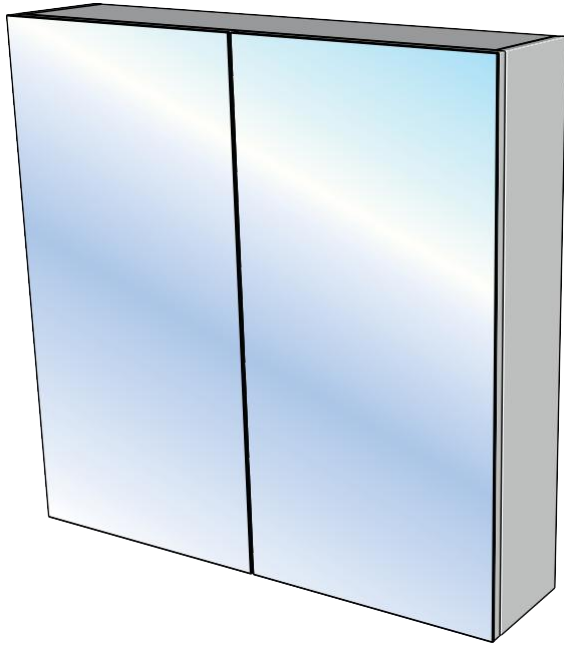
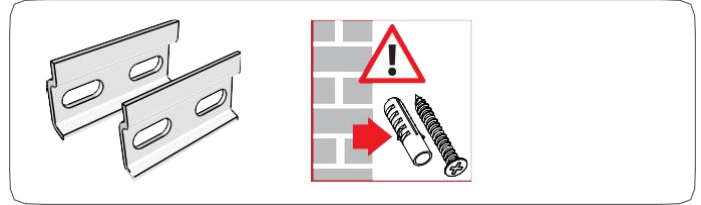


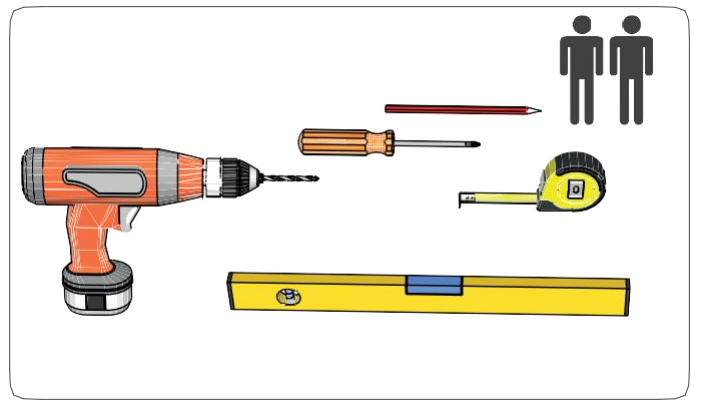
INSTALLATION GUIDE



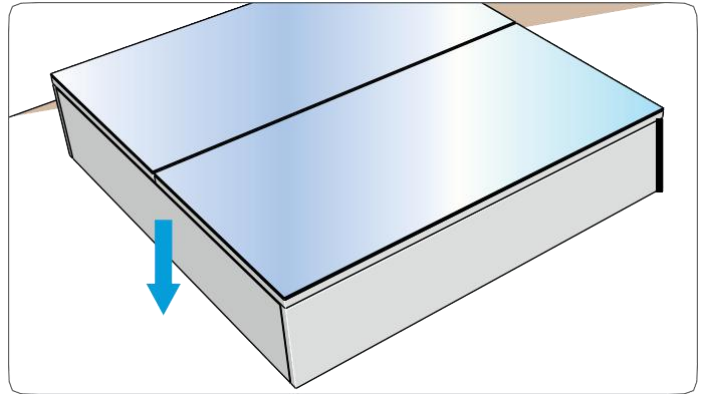
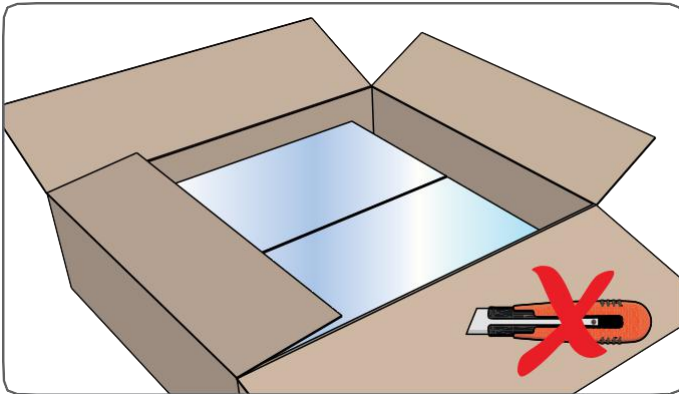
Accessories



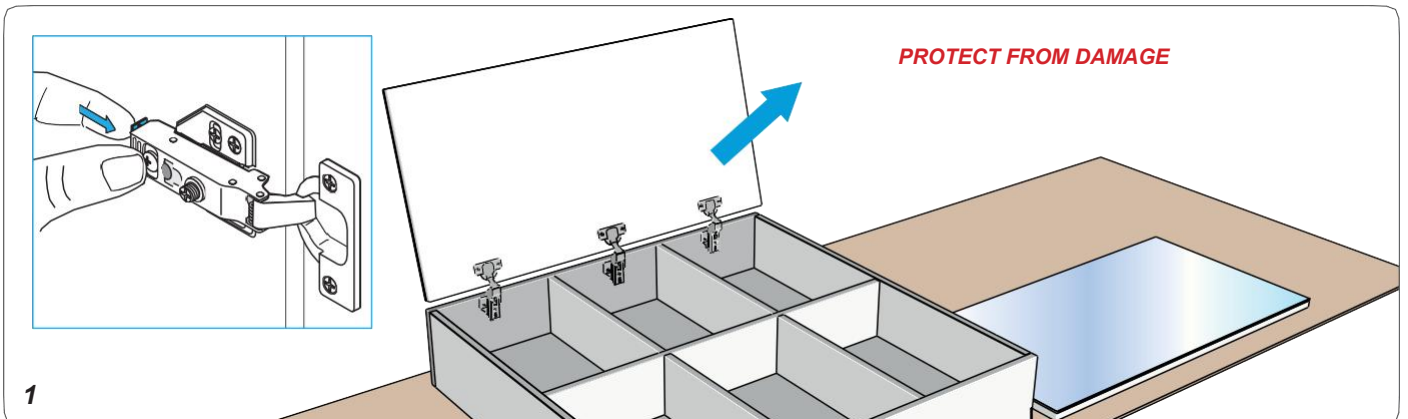
Tools

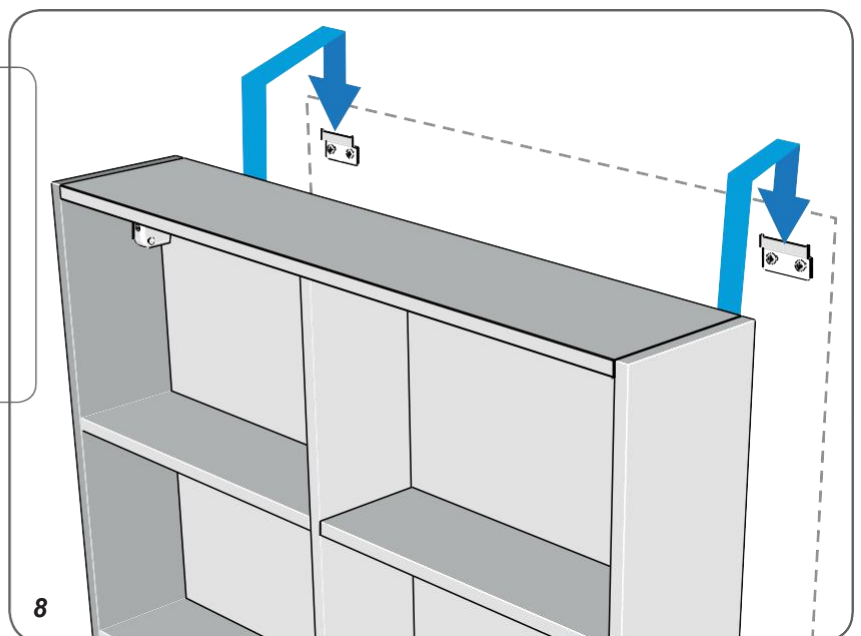
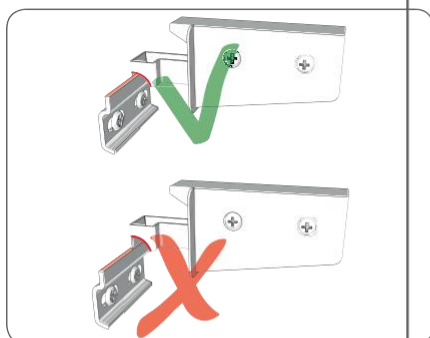
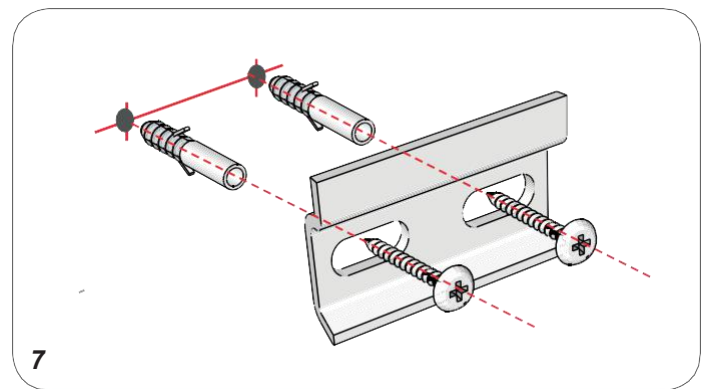
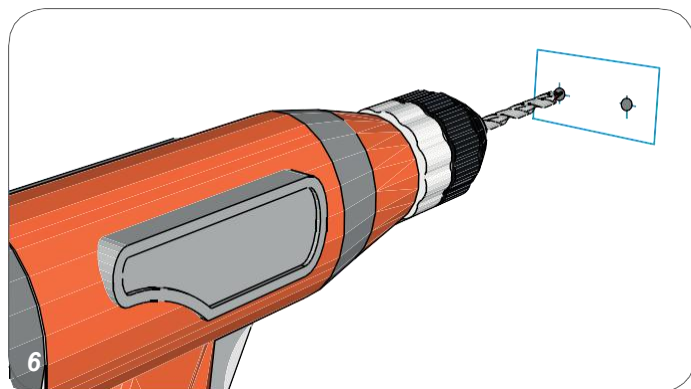
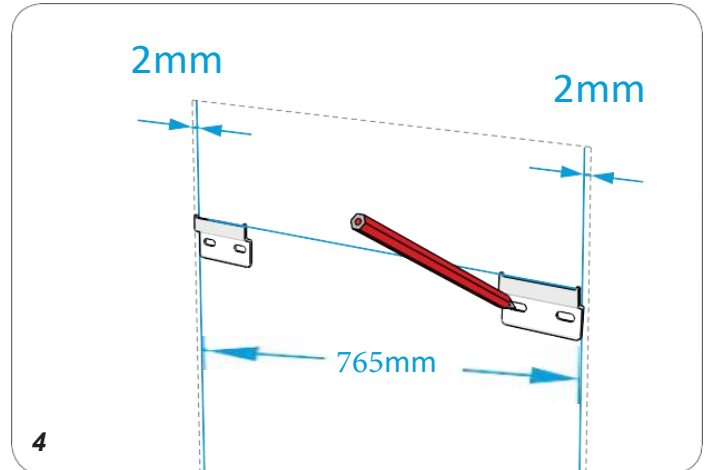
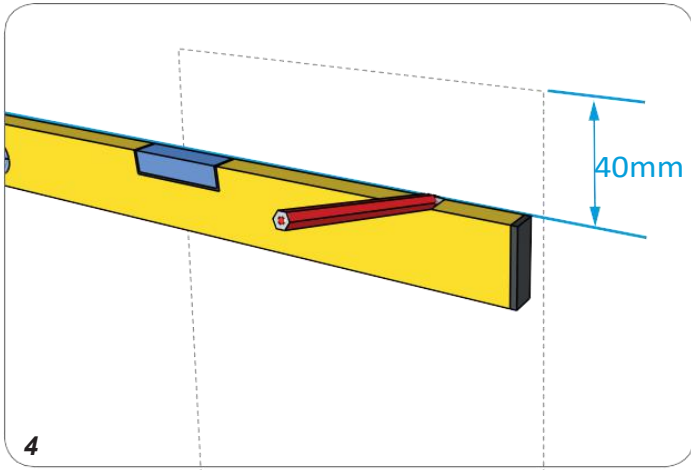
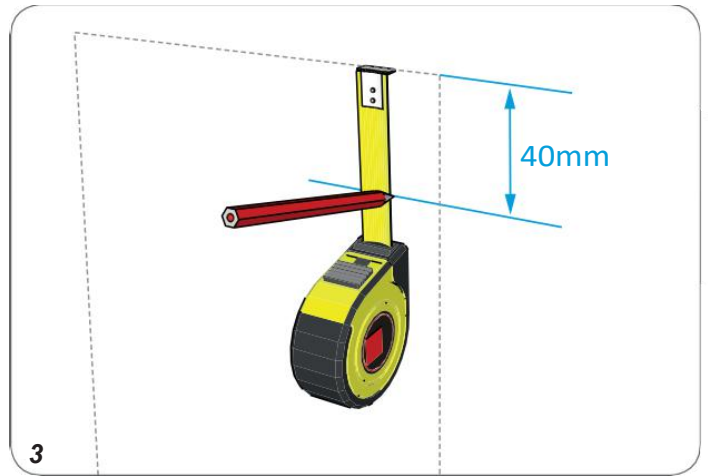
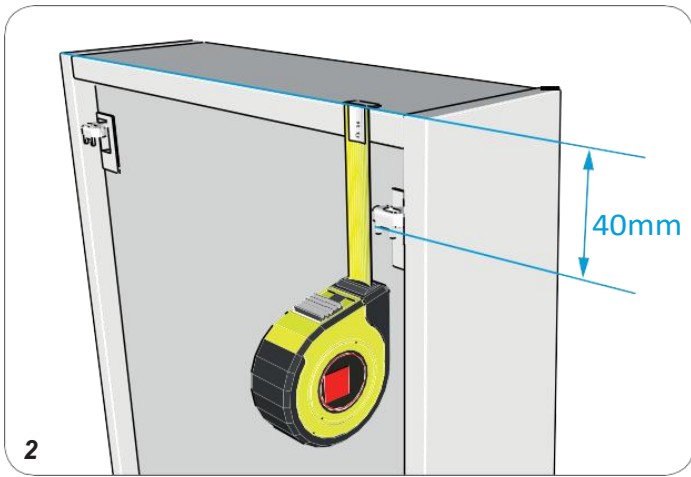


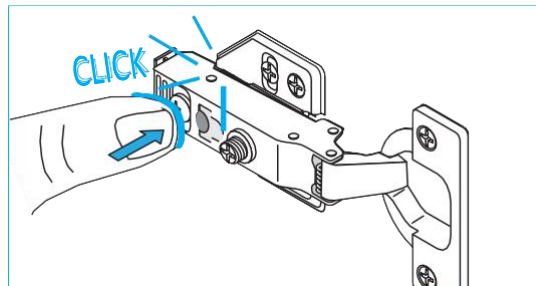
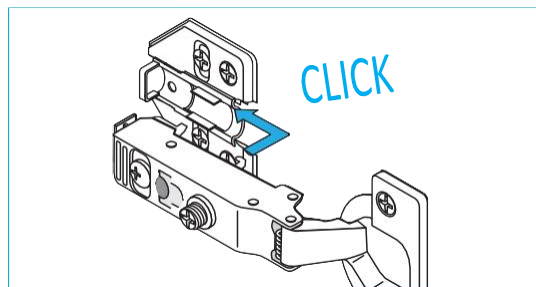
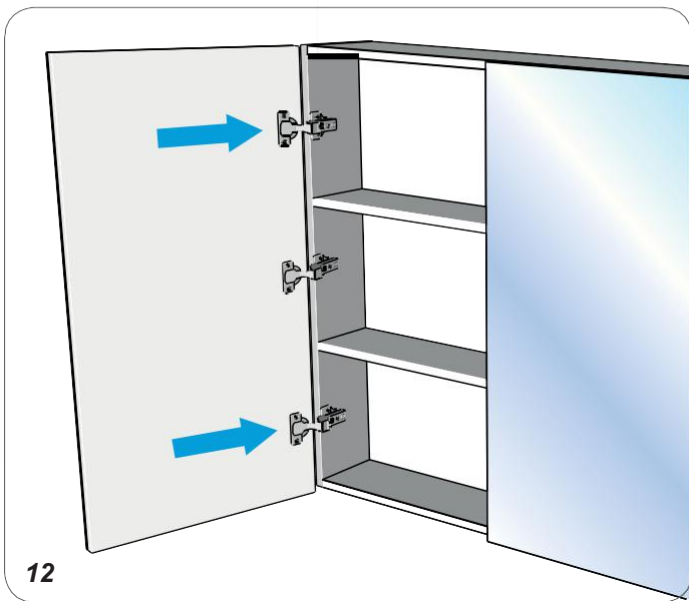
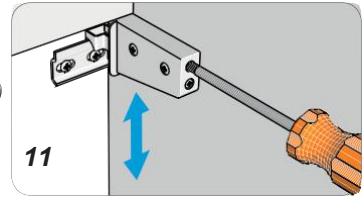
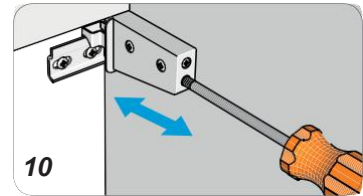
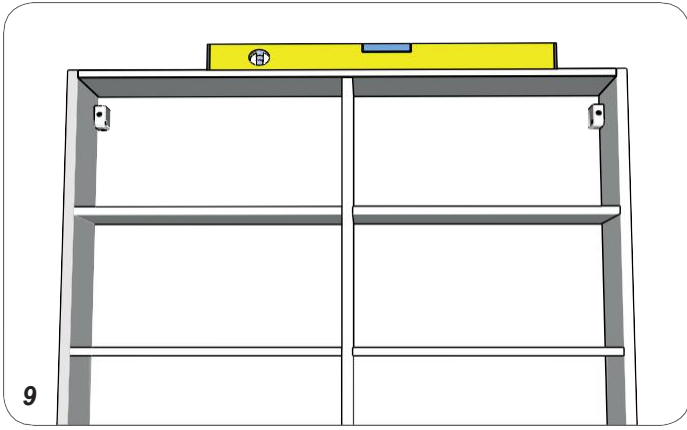
Unpacking



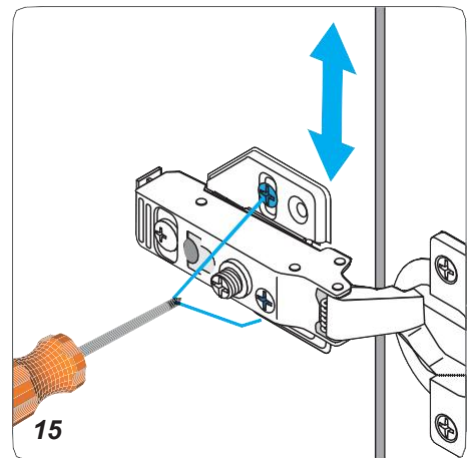
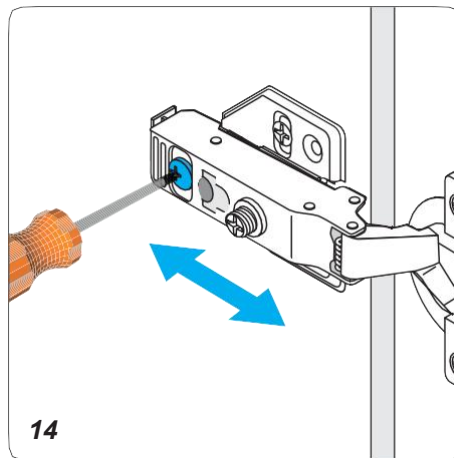
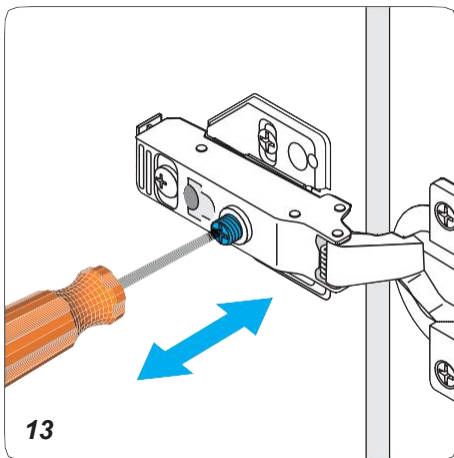
Installation







Adjusting doors



Warranty conditions

If you install the product in a way that differs from this manual this will void all guarantees. Before installation check that the product meets all your requirements and is not damaged. By proceeding with installation, you accept the condition of the product.